



HAAGA 355 USERS MANUAL



- Original operating instructions
- Original Bedienungsanleitung
- Manuel d'utilisation original
- Manual de instrucciones original

Revisionsstand: 1.0 - Mai 2017

HAAGA 355

EN	Original operating instructions	3
DE	Original Bedienungsanleitung	16
FR	Manuel d'utilisation original	29
ES	Manual de instrucciones original	42

SPEEDY SWEEP® 1-877-977-3339
JanitorialEquipmentSupply.com

Table of Contents

1.	General	4
1.1	Address	4
1.2	Conventions	4
1.3	Symbols and labels	4
1.4	Limitation of Liability	4
1.5	Warranty	4
1.6	Copyright.....	5
1.7	Target group	5
2.	Safety	5
2.1	Intended use.....	5
2.2	Improper use	5
2.3	Responsibility of the user.....	5
2.4	General safety instructions	6
2.5	Hazard notices on the device	6
2.6	Personal Safety Equipment	6
3.	Technical data	6
4.	Construction and Function	7
5.	Transport/transporting	8
5.1	Delivery	8
5.2	Scope of supply	8
5.3	Handling Packaging Materials	8
5.4	Storage	8
5.5	Carrying the device	9
5.6	Transporting the device in a vehicle.....	9
6.	Commissioning	10
6.1	Assemble the telescopic bracket.....	10
6.2	Assemble telescopic bracket	10
6.3	Height adjustment of telescopic bracket.....	11
7.	Operation	11
7.1	Before starting work.....	11
7.2	Operation	12
7.3	Empty sweeping container	12
8.	Troubleshooting	13
8.1	Fault table.....	13
9.	Maintenance and cleaning	14
9.1	Maintenance plan.....	14
9.2	Remove blockage	14
9.3	Align bristles	15
9.4	Clean the device	15
10.	Decommissioning	15
10.1	Disassemble telescopic bracket	15
10.2	Disposal.....	15

General

1. General

This operating manual is part of the BG355 sweeping machine (year of construction: from 2017) and is exclusively valid for the specified device.

This operating manual provides important information for the safe and efficient use of the machine.

A requirement for safe operation of the machine is the adherence to all of the safety and operation instructions provided.

- Read the operating manual carefully before using the device.
- Read the safety instructions!
- Keep the operating manual safe and accessible during the lifespan of the device.
- Pass the operating manual onto any subsequent owner or user of the device

1.1 Address

1.2 Conventions

To be able to work optimally with the operating manual, please note the following explanations of the typographical conventions.

Numbering

- The texts shown are first level numbering points.

Operating Sequence

1. Step 1 of the operating sequence
2. Step 2 of the operating sequence
3. Step 3 of the operating sequence

The sequence of the work steps must be observed.


Tip

- » Tips and notes (not machine damage) are shown like this.




1.3 Symbols and labels

All warnings and safety instructions must be complied with! When working, always act with caution to prevent accidents, personal injury and damage to property!

Safety instructions

 SIGNAL WORD
Type and source of hazard
Possible consequences
<ul style="list-style-type: none">• Measures for avoiding danger

Risk level

Risk level	Probability of occurrence	Consequences in the event of noncompliance
 DANGER	Direct	Death, serious injury
 WARNING	Possible	Death, serious injury
 CAUTION	Possible	Slight injury
NOTE	Possible	material damage

1.4 Limitation of Liability

Bissell Commercial does not accept any liability for damage and consequential damage caused by the following points:

- Failure to observe the operating instructions
- Use of nonapproved replacement parts / wrong spare parts / spare parts that do not correspond to the manufacturer's specification
- Unauthorized changes, additions to and modifications to the device

1.5 Warranty

The provisions that are described in the general terms and conditions of Bissell Commercial apply.

1.6 Copyright

The operating manual is copyright protected for Bissell Commercial.

The operating manual includes instructions and diagrams or diagram sections of a technical nature, which may not be reproduced in the entirety or in part, distributed or used for competition purposes or otherwise communicated.

Bissell Commercial reserves all rights for the provision of permission for use for publication or distribution of copies or information from this operating manual to third parties.

In case of infringement the manufacture is entitled to make a claim for damages. Further claims are reserved.

1.7 Target group

This operating manual is intended for the use of this sweeping machine.

2. Safety

To avoid incorrect functioning, damage and health impairments, please observe the following instructions!

2.1 Intended use

The 355 sweeping machine is intended solely for the removal of road dirt such as leaves, grass, gravel, sand and similar contaminants on level and hard surfaces.

2.2 Improper use

Any use other than that described in the section "Intended use" is not in compliance with the intended purpose. The operator of the device alone is liable for any resulting damage.

The sweeping machine may not be used for

sweeping hazardous, flammable or glowing substances (cigarettes and matches) liquids, explosive or hazardous

dusts (ex), acids or solvents.

The sweeping machine may also not be used for sweeping water.

The sweeping machine may not be used in areas where there is a risk of explosion or as a means of transport.

2.3 Responsibility of the user

A user is any individual or legal entity, who uses the machine or has it used by third parties and is responsible during its use for the safety of the user or third parties.

- Supervise children who are in the working environment, to ensure that they do not play with it.
- Minors may not work with the device. Young people over the age of 16 years who are being trained under supervision are excluded.
- Persons, whose reaction times are influenced by, e.g. drugs, alcohol or medications, may not carry out any work with the device.
- Persons who are not allowed to do strenuous work due to their health status may not work with the sweeping machine.
- Replace any signs that have become illegible on the sweeping machine.

Safety

Technical data

2.4 General safety instructions

- Keep the packaging material out of reach of children. There is a risk of suffocation!
- Do not wear long hair, ties loose clothing or jewellery including rings.
- When handling the sweeping machine please note that there is a risk of injury from hanging or being pulled in.

2.5 Hazard notices on the device

The following pictograms are affixed to the sweeping machine:



CAUTION

When working on the machine, the safety instructions described in the operating manual must be observed.



Operating

Read the operating manual carefully before using the device.

2.6 Personal Safety Equipment

Personal safety equipment must be worn when working to minimise health hazards. For that reason:

- Before starting all work put on each item of specified safety equipment properly and wear it during work.



Sturdy footwear

Wear sturdy footwear with well-gripping, non-slip soles.



Protective gloves

Wear protective gloves.



Dust protection mask

Wear a dust protection mask.

3. Technical data

Basic data of the BG355

Technical data	Value
Height (depending on height adjustments of telescopic bracket) in inches	45.27" 47.25" 49.21"
Width in inches	21.65"
Length in inches	22.83"
Sweeping width in inches	21.65"
Sweeping capacity in square metres per hour [y ² /h]	1913.58
Capacity of the sweeping container in litres [l]	5.28
Weight in pounds	15.87 lbs.

4. Construction and Function

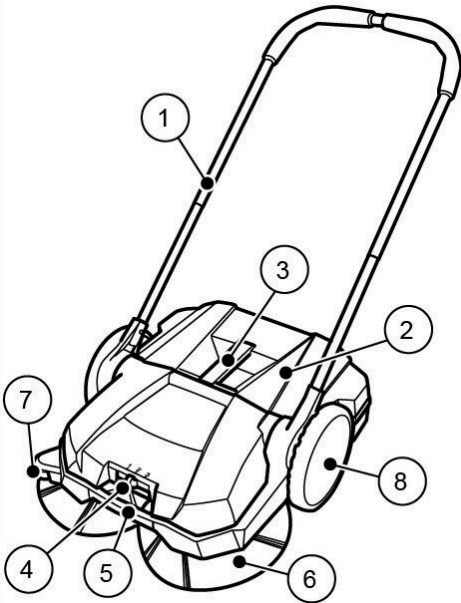


Fig. 1: Component overview 1

Item no.	Component
1	Telescopic bracket
2	Sweeping container
3	Handle of sweeping container
4	Plate brooms – height adjustment
5	Carrying handle
6	Plate brooms
7	Lateral guide roller
8	Impeller

The device is moved forward by pushing, via the telescopic bracket (1). At the same time the 2 plate brooms (6) convey the sweepings in the direction of the sweeping container (2) with the aid of the sweeper lip (11). The fine dirt sweeping roll (9) conveys the rest of the sweepings into the sweeping container (2).

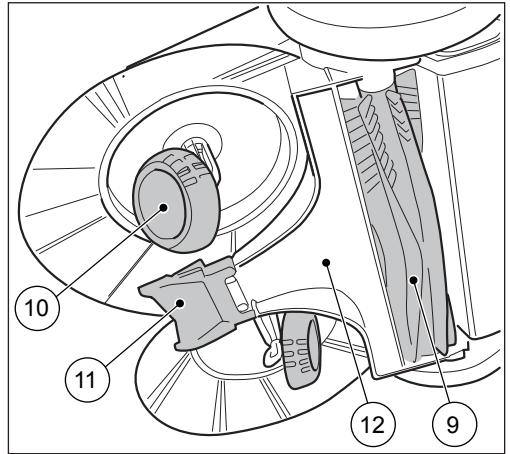


Fig. 2: Component overview 2

Item no.	Component
9	Fine sweeping roll
10	Helical gear
11	Sweeper lip
12	Sweeping plate

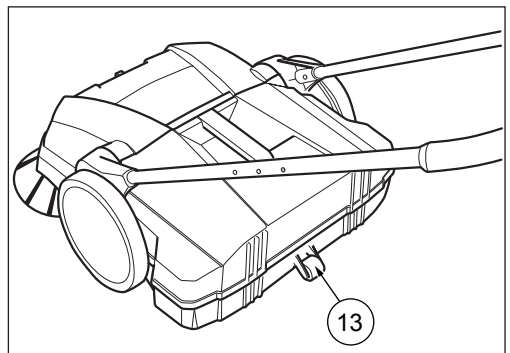


Fig. 3: Component overview 3

Item no.	Component
13	Multi-roll

Construction and Function

Transport/transporting

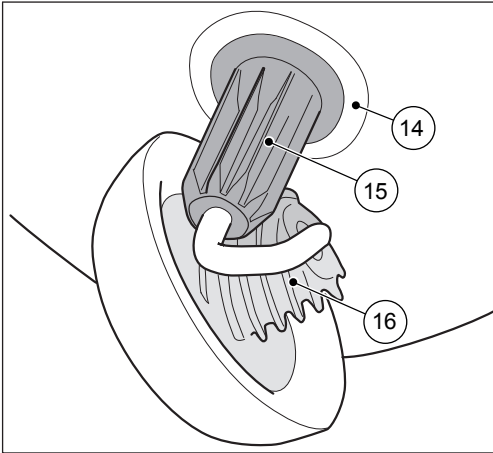


Fig. 4: Detailed view of plate broom

Item no.	Component
14	Connection
15	Toothed sleeve
16	Helical gear toothing

5. Transport/transporting

5.1 Delivery

NOTE

Visible damage on the outer packing must be immediately confirmed on delivery by the parcel service driver. If transport damage is only noticed during unpacking, the parcel service must be notified in writing within 24 hours after delivery so that it can be liable for the damage.

5.2 Scope of supply

- Device
- Sliding bracket
- 2 telescopic pipes
- Operating instructions

5.3 Handling Packaging Materials

- Always dispose of packing in an environmentally responsible manner.
- Observe the local and regional legal provisions in force.

5.4 Storage

NOTE

Improper storage can result in damage to the sweeping machine.

- Store the sweeping machine only in cleaned condition and with an emptied sweeping container.
- » Information on emptying the sweeping container can be found in Section and on cleaning in Section of this operating manual.

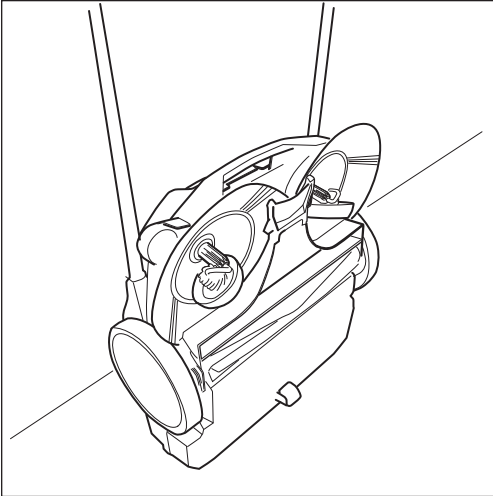


Fig. 5: Storage position

- Place the device in such a way that the bristles cannot be kinked or bent.
- Secure the device including telescopic sliding brackets against tipping over, slipping and thus against damage.
- Do not store the device outdoors or in damp environments.

5.5 Carrying the device

⚠ CAUTION

Risk of injury through tipping over of the telescopic bracket!

Tipping over of the telescopic bracket may lead to slight injuries, such as jamming of the finger or haematomas in users or other persons.

- When carrying the device, hold it so that the telescopic bracket cannot tip over.

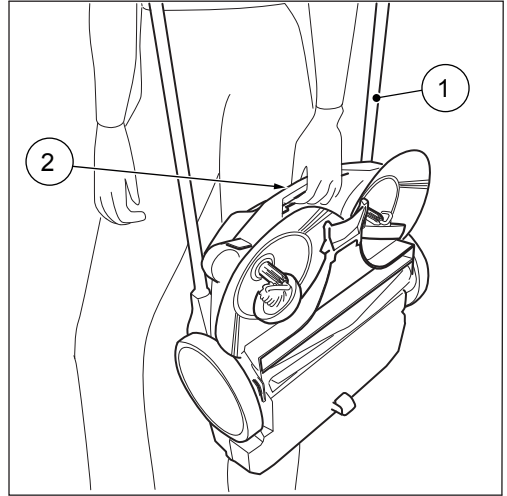


Fig. 6: Carrying the device

1. Swing the telescopic bracket (1) flat towards the front.
2. Grasp the device on the carrying handle (2).
3. Carry the device in such a manner that the plate brooms face away from the body.

5.6 Transporting the device in a vehicle

⚠ CAUTION

Risk of injury through improper transport of the sweeping machine!

A wandering, skidding or tipping of a device can result in the driver or other persons being injured.

- Secure the device with a strap to prevent it from slipping and moving around.
1. Place the device in a suitable location in the vehicle.
 2. Secure the device with a strap.

NOTE

Improper transport can result in damage to the sweeping machine.

Commissioning

6. Commissioning

6.1 Assemble the telescopic bracket

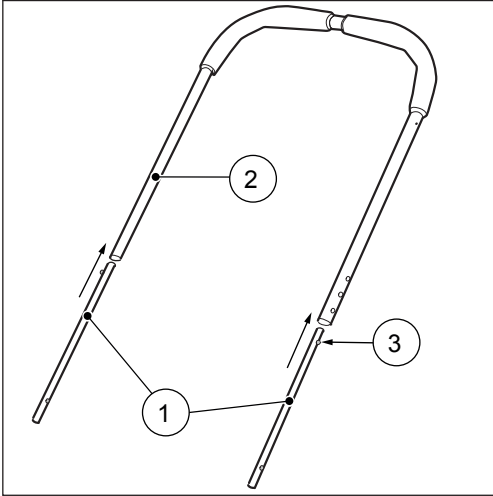


Fig. 7: Assembly of the telescopic bracket

On delivery, the 2 telescopic pipes (1) and the sliding brackets (2) or individual parts.

1. Press the locking springs (3) inwards on both sides of the telescopic pipes.
 2. Push the telescopic pipe (1) into the sliding bracket (2).
 3. Push the telescopic tube into the sliding brackets until the locking springs on both sides lock in.
- » Make sure that the locking springs lock in at the same height on both sides.

6.2 Assemble telescopic bracket

⚠ CAUTION

Risk of injury through tipping over of the telescopic bracket!

Tipping over of the telescopic bracket may lead to slight injuries, such as jamming of the finger or haematomas in users or other persons.

- When carrying the device, hold it so that the telescopic bracket cannot tip over.

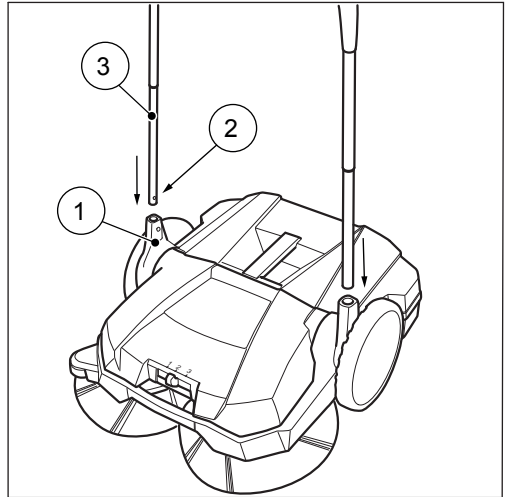


Fig. 8: Assembly of the telescopic bracket

1. Turn the handles (1) into the vertical position.
2. Press the locking springs (2) inwards on both sides of the telescopic sliding bracket.
3. Push the telescopic sliding bracket (3) into both handles simultaneously.
4. Push the telescopic sliding bracket into the handles until the locking springs lock in.

SPEEDY SWEEP® 1-877-977-3339

JanitorialEquipmentSupply.com

6.3 Height adjustment of telescopic bracket

The telescopic sliding bracket (1) can be adjusted to the height of the user in three levels.

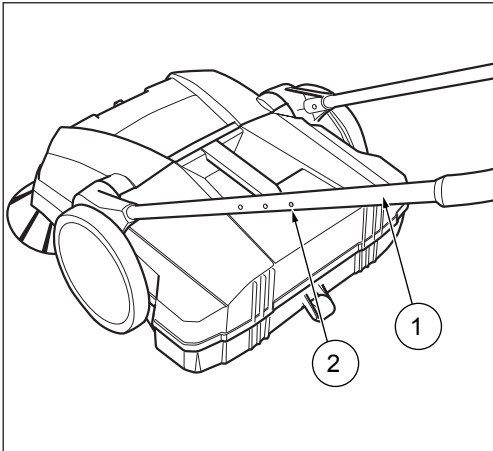


Fig. 9: Height adjustment of telescopic bracket

1. Press the locking springs (2) inwards on both sides of the telescopic sliding bracket.
 2. Adjust the telescopic sliding brackets according to your height.
- » The locking springs (2) must lock into the desired position audibly and visibly.

7. Operation



WARNING

Risk of cutting due to broken glass, metal or other sharp edged materials!

When emptying the sweeping container, cutting injuries may occur due to broken glass, metal or other sharp edged materials.

- Wear the prescribed personal protective equipment!



CAUTION

Health impairments caused by dust resulting from sweeping!

The inhalation of dusts can endanger the health.

- Wear the prescribed personal protective equipment!

7.1 Before starting work

- Check the device to make sure that it is functioning before starting work.
- Check the telescopic sliding bracket to make sure that it is firmly fixed in the handles.
- Check the sweeping container to make sure it is firmly fixed and in good condition.
- Check the plate brooms and the fine dust sweeping roller for rolled up threads and cords. Remove these if necessary.
- Check the plate brooms and the fine dust sweeping roller for jammed items or contamination.
- Check the handle for contamination and clean it if necessary.

Height adjustment of the plate brooms

The heights of the brooms is adjusted in the middle of the front part. The height adjustment sets the plate brooms to the surface to be swept. The levels are based on empirical values and must therefore be considered as the levels are based on empirical values and must therefore be regarded as reference values. As a result, during sweeping, adaptations of the levels may need to be made depending on the surface.

- Level 1: for all level, hard surfaces
(e.g. asphalt, concrete, slabs...)
- Level 2: for damp leaves, sand, and uneven surfaces (e.g. washed concrete slabs)
- Level 3: for heavy soiling and severely uneven surfaces

Operation

NOTE

Do not press the plate brooms too firmly on the ground. A too high pressure does not achieve a better cleaning result, but rather leads to an increase in the pushing resistance and the wear of the device.

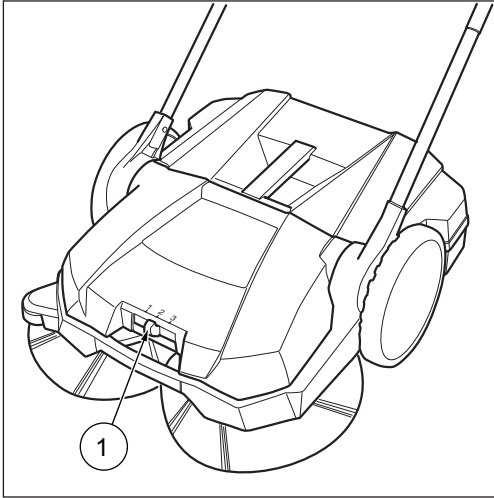


Fig. 10: Height adjustment of the plate brooms

- Set the required level:
- Push the lever (1) into the desired position (Level 1-3) to the left or right.
- » Lift the machine slightly by the handle. This will make it easier to adjust the height.

7.2 Operation

- Operate the device via the telescopic bracket with both hands.
- Push the device forward at normal walking speed.
- Remove the sweeping container as needed, see section "Empty sweeping container" in Section of this operating manual.

7.3 Empty sweeping container

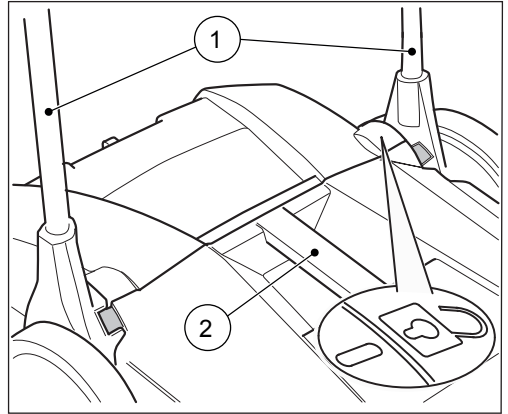


Fig. 11: Release position of the sweeping container

- Empty the sweeping container after each use.
 - Empty the sweeping container at regular intervals to achieve a proper sweeping result.
1. Bring the telescopic sliding bracket (1) into the vertical position.
 - » In this position, the sweeping container is released for removal from the device. This is also indicated by the symbol "Lock unlocked".
 2. Pull the sweeping container upwards by the handle (2).
 3. Empty the sweeping container completely.
 - » Make sure that the enclosure sides are free of dirt.
 4. Place the empty sweeping container on the device and bring the telescopic sliding bracket back into the operating position.
 - » In the operating position of a telescopic sliding bracket, the sweeping container is locked.

8. Troubleshooting



WARNING

Risk of cutting due to broken glass, metal or other sharp edged materials!

When emptying the sweeping container, cutting injuries may occur due to broken glass, metal or other sharp edged materials.

- Wear the prescribed personal protective equipment!



CAUTION

Health impairments caused by dust resulting from sweeping!

The inhalation of dusts can endanger the health.

- Wear the prescribed personal protective equipment!



CAUTION

Risk of injury through tipping over of the telescopic bracket!

Tipping over of the telescopic bracket may lead to slight injuries, such as jamming of the finger or haematomas in users or other persons.

- When carrying the device, hold it so that the telescopic bracket cannot tip over.

Even if the prescribed maintenance work and checks of the device before use are complied with, faults may occur. Possible faults are listed in the table below, with specification of the cause and remedy.

8.1 Fault table

Fault	Cause	Remedy
Device is running with difficulty or roughly	Device is contaminated	Clean device, see Section
	Broom blocked	Remove blockage see Section "Remove blockage"
	Contaminated broom drives	Clean broom drives, see Section "Clean device"
	Height adjustment is set too low, contact pressure of the plate brooms too high	Set height adjustment, see Section in the section "Adjust height setting"
	Plate brooms do not rotate	Contact Service
Bristles are bent	Improper storage	Align the bristles, see Section in the section "Align bristles"
Sweeping result is insufficient	Sweeping lip is missing, loose or worn	Replace sweeping lip

Maintenance and cleaning

9. Maintenance and cleaning



WARNING

Risk of cutting due to broken glass, metal or other sharp edged materials!

When emptying the sweeping container, cutting injuries may occur due to broken glass, metal or other sharp edged materials.

- Wear the prescribed personal protective equipment!



CAUTION

Health impairments caused by dust resulting from sweeping!

The inhalation of dusts can endanger the health.

- Wear the prescribed personal protective equipment!



CAUTION

Risk of injury through tipping over of the telescopic bracket!

Tipping over of the telescopic bracket may lead to slight injuries, such as jamming of the finger or haematomas in users or other persons.

- When carrying the device, hold it so that the telescopic bracket cannot tip over.



CAUTION

Hazard due to cleaning materials!

The agents can contain harmful ingredients and can thereby cause irritation of the respiratory tract and the skin.

- Observe the manufacturer's safety data sheet.
- Avoid spillage and the formation of fog.
- Do not eat, drink or smoke while working.
- Avoid contact with skin and eyes.

In the following sections the maintenance and cleaning work required for optimal and fault-free operation is described.

The conduct of the specified work depends in some cases on time and/or load. For the maintenance interval information shown both in deadlines and service hours, the one that occurs first applies.

In case of questions on the maintenance work and intervals contact the manufacturer.

9.1 Maintenance plan

Maintenance interval	Maintenance work
Before starting work	Check the device to make sure that it is functioning before starting work. If necessary, contact the Service.
	Check the telescopic sliding bracket to make sure that it is firmly fixed in the handles.
	Check the sweeping container to make sure it is firmly fixed and in good condition.
	Check the plate brooms and the fine dust sweeping roller for rolled up threads and cords. Remove these if necessary.
	Check the plate brooms and the fine dust sweeping roller for jammed items or contamination.
	Check the handle for contamination and clean it if necessary.
After finishing work	Check that the height adjustment is at the correct height.
	Check the sweeping pressure setting. Adapt this to the surface to be swept, if necessary.
8 Bh	Empty the sweeping container.
	Clean the device.
8 Bh	Clean broom drives.

9.2 Remove blockage

- Remove wound-up material (e.g. cords, threads, etc.) from the brooms and axes.
- Remove jammed material (e.g. stones, twigs, leaves etc.).

9.3 Align bristles



WARNING

Fire hazard due to improper handling of a fan or the use of an unsuitable fan!

When aligning the bristles, there is a risk of fire if they are heated to too high temperatures.

- Do not use open flames or furnace to heat the bristles!
- Do not use a hot air blower. If the air is too hot, the bristles may melt.

Bent bristles can be straightened out again with heating by means of a warm air fan (e.g. hairdryer).

- Point the switched-on warm air fan towards the bent bristles.
- » If the heating is sufficient, the bristles will straighten out again by themselves.

9.4 Clean the device

- Do not use a degreasing agent.
 - Do not use any aggressive cleaning agents.
 - Do not clean the device with a high-pressure cleaner or under running water. The device may not be immersed in water or cleaned with water.
 - Protect the bearings against moisture.
 - Do not clean the plate brooms and the fine dirt sweeping roll with compressed air.
 - » The strong air jet can damage the bristles.
1. Clean the plate brooms, the fine dirt sweeping roll and the drives with a wet cloth.
 2. Clean all plastic parts with a damp cloth.

10. Decommissioning

10.1 Disassemble telescopic bracket



CAUTION

Risk of injury through tipping over of the telescopic bracket!

Tipping over of the telescopic bracket may lead to slight injuries, such as jamming of the finger or haematomas in users or other persons.

- When carrying the device, hold it so that the telescopic bracket cannot tip over.

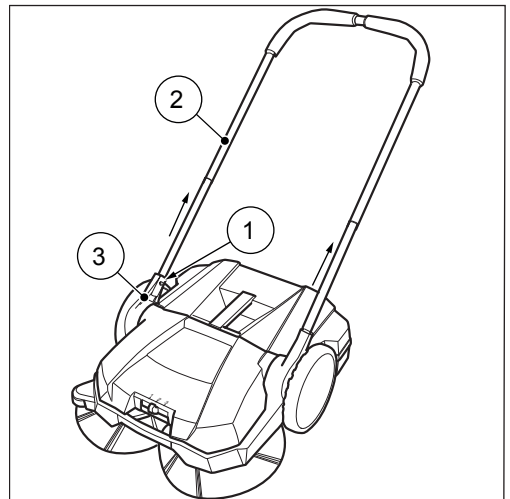


Fig. 12: Removal of the telescopic bracket

1. Press the lock springs (1) inwards on both sides, so that the telescopic bracket (2) is released for removal.
2. Pull the telescopic sliding bracket (2) out of both handles (3) simultaneously.

10.2 Disposal

- Dispose of the device in an environmentally friendly manner in accordance with the applicable regional regulations.

Table of Contents

1.	Allgemeines	17
1.1	Adresse.....	17
1.2	Konventionen.....	17
1.3	Symbole und Kennzeichnungen	17
1.4	Haftungsbeschränkung.....	17
1.5	Gewährleistung.....	17
1.6	Urheberschutz.....	18
1.7	Zielgruppe	18
2.	Sicherheit	18
2.1	Bestimmungsgemäße Verwendung	18
2.2	Nichtbestimmungsgemäße Verwendung	18
2.3	Verantwortung des Benutzers	18
2.4	Allgemeine Sicherheitshinweise	19
2.5	Gefahrenhinweise am Gerät	19
2.6	Persönliche Schutzausrüstung	19
3.	Technische Daten	19
4.	Aufbau und Funktion	20
5.	Transport/Transportieren	21
5.1	Anlieferung.....	21
5.2	Lieferumfang.....	21
5.3	Umgang mit Verpackungsmaterialien.....	21
5.4	Lagerung/Aufbewahrung	21
5.5	Gerät tragen	22
5.6	Gerät im Fahrzeug transportieren.....	22
6.	Inbetriebnahme	23
6.1	Teleskop-Schiebebügel zusammenbauen.....	23
6.2	Teleskop-Schiebebügel montieren	23
6.3	Höheneinstellung Teleskop-Schiebebügel.....	24
7.	Bedienung	24
7.1	Vor Arbeitsbeginn	24
7.2	Betrieb	25
7.3	Kehrgutbehälter entleeren	25
8.	Fehlerbehebung	26
8.1	Störungstabelle.....	26
9.	Wartung und Reinigung	27
9.1	Wartungsplan	27
9.2	Blockierung beseitigen	27
9.3	Borsten ausrichten	28
9.4	Gerät reinigen	28
10.	Außerbetriebnahme	28
10.1	Teleskop-Schiebebügel demontieren	28
10.2	Entsorgung.....	28

1. Allgemeines

Diese Bedienungsanleitung ist Teil des Gerätes Kehrmaschine BG355 (Baujahr: ab 2017) und ausschließlich für das genannte Gerät gültig.

Die Bedienungsanleitung vermittelt wichtige Hinweise für den sicheren und effizienten Umgang mit dem Gerät.

Voraussetzung für sicheres Arbeiten am Gerät ist die Einhaltung aller angegebenen Sicherheitshinweise und Handlungsanweisungen.

- Lesen Sie die Bedienungsanleitung vor der Verwendung des Gerätes aufmerksam durch.
- Lesen Sie die Sicherheitshinweise!
- Bewahren Sie die Bedienungsanleitung während der Lebensdauer des Gerätes sicher und zugänglich auf.
- Geben Sie die Bedienungsanleitung an jeden nachfolgenden Besitzer oder Benutzer des Gerätes weiter.

1.1 Adresse

Bissell BigGreen Commercial
100 Armstrong Road
Suite 101

Plymouth, MA 02360

Tel.: 1-800-242-1378

Fax: 1-877-672-4566

www.bissellcommercial.com

1.2 Konventionen

Um mit der Bedienungsanleitung optimal arbeiten zu können, sind folgende Erklärungen zu den typografischen Konventionen zu beachten.

Aufzählung

- So dargestellte Texte sind Aufzählungspunkte.

Arbeitsfolge

1. Schritt 1 der Arbeitsfolge
2. Schritt 2 der Arbeitsfolge
3. Schritt 3 der Arbeitsfolge

Die Reihenfolge der Arbeitsschritte ist einzuhalten.

Tipp

- » Tipps, Hinweise (nicht Maschinenschaden) werden so dargestellt.

1.3 Symbole und Kennzeichnungen

Alle Warn- und Sicherheitshinweise unbedingt einhalten! Beim Arbeiten stets umsichtig handeln, um Unfälle, Personen- und Sachschäden zu vermeiden!

Aufbau der Sicherheitshinweise

 SIGNALWORT
Art und Quelle der Gefahr
Mögliche Folgen
<ul style="list-style-type: none">• Maßnahme zur Vermeidung der Gefahr

Gefahrenstufe

Gefahrenstufe	Eintrittswahrscheinlichkeit	Folgen bei Nichtbeachtung
 GEFAHR	Unmittelbar	Tod, schwere Körperverletzung
 WARNUNG	Möglich	Tod, schwere Körperverletzung
 VORSICHT	Möglich	Leichte Körperverletzung
HINWEIS	Möglich	Sachschaden

1.4 Haftungsbeschränkung

Für Schäden und Folgeschäden, die durch die nachfolgend aufgeführten Punkte entstehen, übernimmt Bissell Commercial keinerlei Haftung:

- Nichtbeachtung der Bedienungsanleitung
- Verwendung nicht zugelassener Ersatzteile / falscher Ersatzteile / Ersatzteile, die nicht der Herstellerspezifikation entsprechen
- Eigenmächtige Änderungen, An- und Umbauten am Gerät

1.5 Gewährleistung

Es gelten die Regelungen, die in den Allgemeinen Geschäftsbedingungen von Bissell Commercial beschrieben sind.

Allgemeines

Sicherheit

1.6 Urheberrecht

Die Bedienungsanleitung ist urheberrechtlich für Bissell Commercial geschützt.

Die Bedienungsanleitung enthält Vorschriften und Zeichnungen bzw. Zeichnungsausschnitte technischer Art, die weder vollständig noch teilweise vervielfältigt, verbreitet oder zu Zwecken des Wettbewerbs unbefugt verwendet oder anderen mitgeteilt werden dürfen.

Eine Erlaubnisgenehmigung zur Verwendung für Publikationen oder Weitergabe von Kopien oder Informationen aus dieser Bedienungsanleitung an Dritte behält sich Bissell Commercial vor.

Aus Zuwiderhandlungen entsteht ein Schadenersatzanspruch des Herstellers. Weitere Ansprüche bleiben vorbehalten.

1.7 Zielgruppe

Diese Bedienungsanleitung richtet sich an den Benutzer dieser Kehrmaschine.

2. Sicherheit

Beachten Sie zur Vermeidung von Fehlfunktionen, Schäden und gesundheitlichen Beeinträchtigungen folgende Hinweise!

2.1 Bestimmungsgemäße Verwendung

Die Kehrmaschine 355 ist ausschließlich zum Entfernen von Straßenschmutz wie z. B. Laub, Gras, Split, Sand und ähnlichen Verunreinigungen auf ebenen und harten Flächen vorgesehen.

2.2 Nichtbestimmungsgemäße Verwendung

Jeder andere als der im Abschnitt „Bestimmungsgemäße Verwendung“ beschriebene Gebrauch gilt als nicht bestimmungsgemäß. Für hieraus resultierende Schäden haftet allein der Benutzer des Gerätes.

Die Kehrmaschine darf nicht zum Kehren von gesundheitsgefährdenden, brennbaren oder glühenden Stoffen (Zigaretten und Streichhölzern), Flüssigkeiten, explosiven oder gefährlichen Stäuben (Ex), Säuren oder Lösungsmitteln genutzt werden.

Die Kehrmaschine darf ebenfalls nicht zum Kehren von Wasser verwendet werden.

Die Kehrmaschine darf nicht in explosionsgefährdeten Bereichen oder als Transportmittel verwendet werden.

2.3 Verantwortung des Benutzers

Ein Benutzer ist jede natürliche oder juristische Person, die die Kehrmaschine nutzt oder Dritten zur Anwendung überlässt und während der Nutzung für die Sicherheit des Benutzers oder Dritter verantwortlich ist.

- Beaufsichtigen Sie Kinder, die sich im Arbeitsumfeld befinden, um sicherzustellen, dass sie nicht damit spielen.
- Minderjährige dürfen nicht mit dem Gerät arbeiten. Ausgenommen sind Jugendliche über 16 Jahre, die unter Aufsicht ausgebildet werden.
- Personen, deren Reaktionsfähigkeit beeinflusst ist, z. B. durch Drogen, Alkohol oder Medikamente, dürfen keine Arbeiten mit dem Gerät ausführen.
- Personen, die sich aufgrund ihres gesundheitlichen Zustands nicht anstrengen dürfen, dürfen keine Arbeiten mit der Kehrmaschine ausführen.
- Ersetzen Sie unleserlich gewordene Beschilderung an der Kehrmaschine.

2.4 Allgemeine Sicherheitshinweise

- Machen Sie Verpackungsmaterial Kindern unzugänglich. Es besteht Erstickungsgefahr!
- Tragen Sie weder offene, lange Haare, Krawatte, lose Kleidung noch Schmuck einschließlich Ringe.
- Achten Sie im Umgang mit der Kehrmaschine darauf, dass Verletzungsgefahr durch Hängenbleiben und Einziehen bestehen kann.

2.5 Gefahrenhinweise am Gerät

An der Kehrmaschine sind folgende Piktogramme angebracht:



VORSICHT

Achten Sie beim Arbeiten darauf, die in der Bedienungsanleitung beschriebenen Sicherheitshinweise einzuhalten.



Betriebsanleitung

Lesen Sie die Bedienungsanleitung vor der Verwendung des Gerätes aufmerksam durch.

2.6 Persönliche Schutzausrüstung

Bei der Arbeit ist das Tragen persönlicher Schutzausrüstung erforderlich, um Gesundheitsgefahren zu minimieren. Deshalb:

- Vor Beginn aller Arbeiten die jeweils benannte Schutzausrüstung ordnungsgemäß anlegen und während der Arbeit tragen.



Festes Schuhwerk

Tragen Sie festes Schuhwerk mit griffiger, rutschfester Sohle.



Feste Schutzhandschuhe

Tragen Sie feste Schutzhandschuhe.



Staubschutzmaske

Tragen Sie eine Staubschutzmaske.

3. Technische Daten

Grunddaten der BG355

Technische Daten	Wert
Höhe (in Abhängigkeit Höheneinstellung Teleskop-Schiebebügel) in Millimeter [mm]	1150 / 1200 / 1250
Breite in Millimeter [mm]	550
Länge in Millimeter [mm]	580
Kehrbreite in Millimeter [mm]	550
Kehrleistung in Quadratmeter pro Stunde [m ² /h]	1600
Fassungsvermögen des Kehrgutbehälters in Liter [l]	20
Gewicht in Kilogramm [kg]	7,2

Aufbau und Funktion

4. Aufbau und Funktion

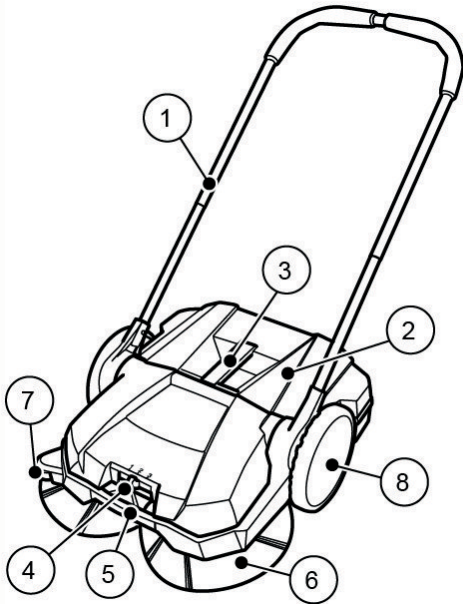


Abb. 1: Komponentenübersicht 1

Pos.-Nr.	Bauteil
1	Teleskop-Schiebebügel
2	Kehrgutbehälter
3	Handgriff Kehrgutbehälter
4	Tellerbesen-Höhenverstellung
5	Tragegriff
6	Tellerbesen
7	Seitliche Führungsrolle
8	Laufgrad

Das Gerät wird durch Schieben, über den Teleskop-Schiebebügel (1), vorwärts bewegt. Dabei befördern die beiden Tellerbesen (6) mit Hilfe der Kehrlippe (11) das Kehrgut in Richtung Kehrgutbehälter (2). Die Feinschmutz-Kehrwalze (9) befördert das restliche Kehrgut in den Kehrgutbehälter (2).

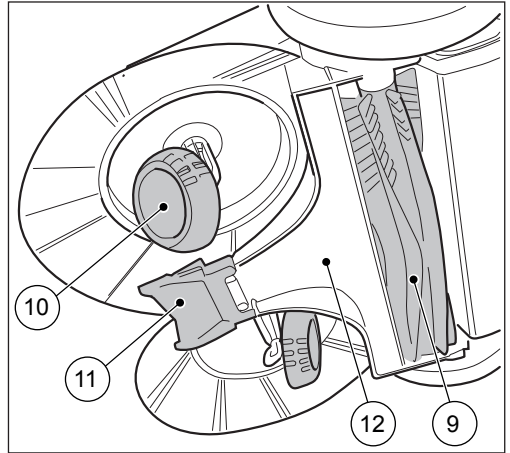


Abb. 2: Komponentenübersicht 2

Pos.-Nr.	Bauteil
9	Feinschmutz-Kehrwalze
10	Schrägrad
11	Kehrlippe
12	Kehrplatte

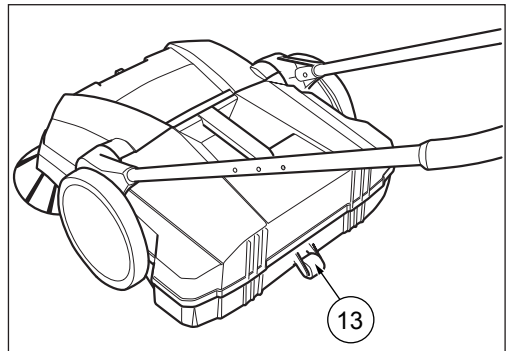


Abb. 3: Komponentenübersicht 3

Pos.-Nr.	Bauteil
13	Multirolle

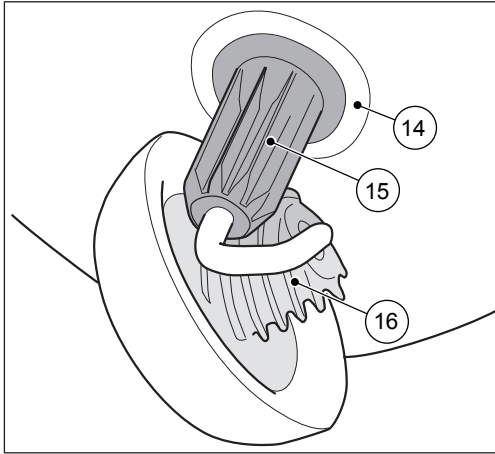


Abb. 4: Detailansicht Tellerbesen

Pos.-Nr.	Bauteil
14	Kupplung
15	Zahnhülse
16	Schräggradverzahnung

5. Transport/Transportieren

5.1 Anlieferung

HINWEIS

Sichtbare Schäden an der Außenverpackung bitte sofort bei Anlieferung vom Fahrer des Paketdienstes bestätigen lassen. Wird ein Transportschaden erst beim Auspacken bemerkt, ist der Paketdienst innerhalb 24 Stunden nach Anlieferung schriftlich zu benachrichtigen, um ihn für die Schäden haftbar zu machen.

5.2 Lieferumfang

- Gerät
- Schiebebügel
- 2 Teleskop-Rohre
- Bedienungsanleitung

5.3 Umgang mit Verpackungsmaterialien

- Entsorgen Sie das Verpackungsmaterial stets umweltgerecht.
- Beachten Sie die örtlichen, regional geltenden gesetzlichen Vorschriften.

5.4 Lagerung/Aufbewahrung

HINWEIS

Unsachgemäße Aufbewahrung kann zu Schäden an der Kehrmaschine führen.

- Lagern Sie das Gerät nur im gereinigten Zustand und mit einem geleerten Kehrgutbehälter.
- » Informationen zum Entleeren des Kehrgutbehälters finden Sie im Kapitel 7.3 und zum Reinigen im Kapitel 9.4 dieser Bedienungsanleitung.

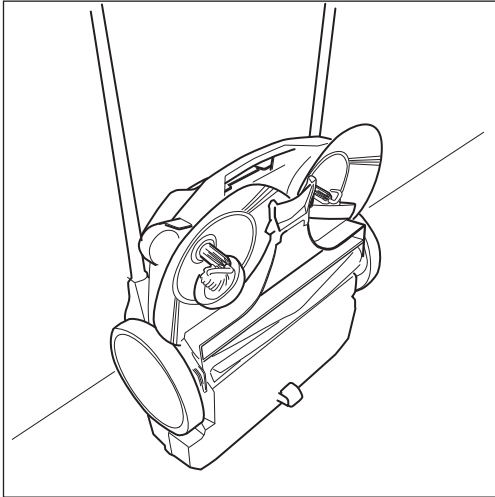


Abb. 5: Aufbewahrungposition

- Platzieren Sie das Gerät so, dass die Borsten nicht abgeknickt oder verbogen werden.
- Sichern Sie das Gerät inklusive Teleskop-Schiebebügel gegen Umkippen, Verrutschen und somit vor Beschädigung.
- Bewahren Sie das Gerät nicht im Freien oder in feuchter Umgebung auf.

5.5 Gerät tragen



VORSICHT

Verletzungsgefahr durch Umkippen des Teleskop-Schiebebügels!

Durch Umkippen des Teleskop-Schiebebügels kann es zu leichten Verletzungen wie z. B. Quetschen der Finger oder Blutergüssen beim Benutzer oder anderen Personen kommen.

- Halten Sie das Gerät beim Tragen so, dass der Teleskop-Schiebebügel nicht umkippen kann.

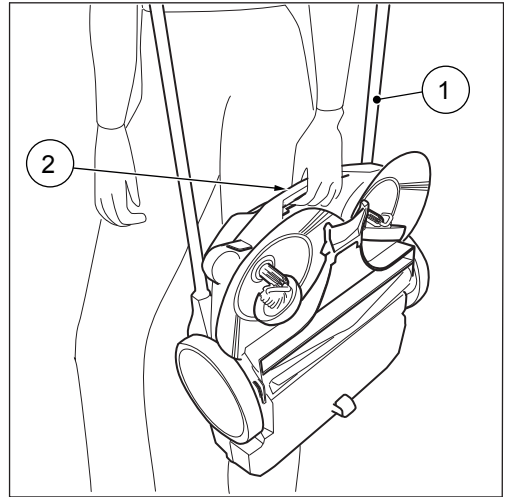


Abb. 6: Gerät tragen

1. Schwenken Sie den Teleskop-Schiebebügel (1) flach nach vorne.
2. Greifen Sie das Gerät am Tragegriff (2).
3. Tragen Sie das Gerät so, dass die Tellerbescen vom Körper wegzeigen.

5.6 Gerät im Fahrzeug transportieren



VORSICHT

Verletzungsgefahr durch unsachgemäßen Transport der Kehrmaschine!

Ein umherschleuderndes, verrutschendes oder umkippendes Gerät kann zu Verletzungen des Fahrers oder anderen Personen führen.

- Sichern Sie das Gerät mit einem Spanngurt gegen Verrutschen und Umherschleudern.
1. Platzieren Sie das Gerät im Fahrzeug an einer geeigneten Stelle.
 2. Sichern Sie das Gerät mittels Spanngurt.

HINWEIS

Unsachgemäßer Transport kann zu Schäden an der Kehrmaschine führen.

6. Inbetriebnahme

6.1 Teleskop-Schiebebügel zusammenbauen

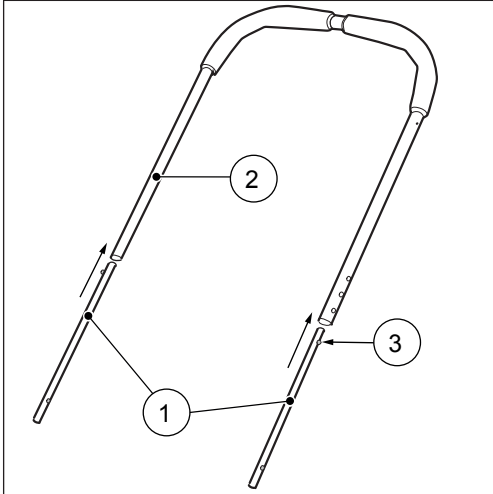


Abb. 7: Teleskop-Schiebebügelmontage

Bei Anlieferung liegen die beiden Teleskoprohre (1) und der Schieberegler (2) als Einzelteile vor.

1. Drücken Sie die Rastfedern (3) an beiden Seiten der Teleskop-Rohre nach innen.
 2. Schieben Sie die Teleskop-Rohre (1) in den Schieberegler (2).
 3. Schieben Sie die Teleskop-Rohre so weit in den Schieberegler bis die Rastfedern auf beiden Seiten einrasten.
- » Achten Sie darauf, dass auf beiden Seiten die Rastfedern in gleicher Höhe einrasten.

6.2 Teleskop-Schiebebügel montieren

! VORSICHT

Verletzungsgefahr durch Umkippen des Teleskop-Schiebebügels!

Durch Umkippen des Teleskop-Schiebebügels kann es zu leichten Verletzungen wie z. B. Quetschen der Finger oder Blutergüssen beim Benutzer oder anderen Personen kommen.

- Halten Sie das Gerät beim Tragen so, dass der Teleskop-Schiebebügel nicht umkippen kann.

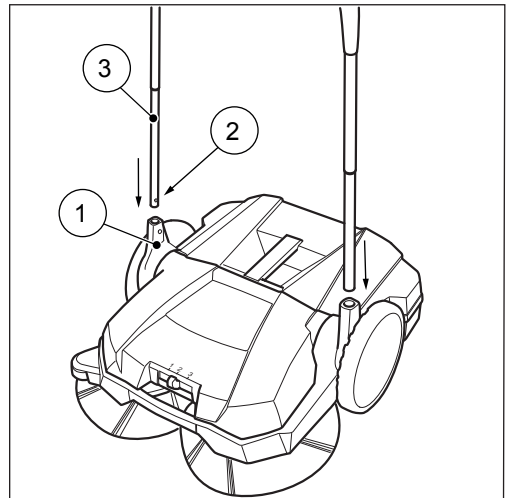


Abb. 8: Teleskop-Schiebebügelmontage

1. Drehen Sie die Griffbeschläge (1) in die senkrechte Stellung.
2. Drücken Sie die Rastfedern (2) an beiden Seiten des Teleskop-Schiebebügels nach innen.
3. Schieben Sie den Teleskop-Schiebebügel (3) gleichzeitig in beide Griffbeschläge.
4. Schieben Sie den Teleskop-Schiebebügel so weit in die Griffbeschläge bis die Rastfeder einrastet.

Inbetriebnahme

Bedienung

6.3 Höheneinstellung Teleskop-Schiebebügel

Der Teleskop-Schiebebügel (1) kann in drei Stufen auf die Körpergröße des Benutzers eingestellt werden.

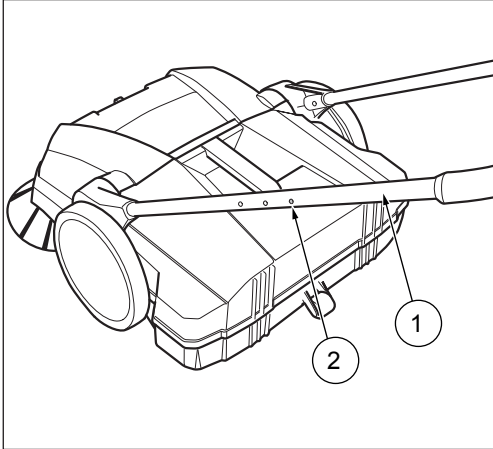


Abb. 9: Höheneinstellung Teleskop-Schiebebügel

1. Drücken Sie die Rastfedern (2) an beiden Seiten des Teleskop-Schiebebügels nach innen.
2. Verstellen Sie den Teleskop-Schiebebügel entsprechend Ihrer Körpergröße.
 - » Die Rastfedern (2) müssen in der gewünschten Position hörbar und sichtbar einrasten.

7. Bedienung

⚠ WARNUNG

Schnittgefahr durch Glasscherben, Metall oder andere, scharfkantige Materialien!

Beim Entleeren des Kehrgutbehälters können Schnittverletzungen durch Glasscherben, Metall oder andere scharfkantige Materialien entstehen.

- Tragen Sie die vorgeschriebene persönliche Schutzausrüstung!

⚠ VORSICHT

Gesundheitsgefährdung durch beim Kehren entstandene Stäube!

Das Einatmen von Stäuben kann die Gesundheit gefährden.

- Tragen Sie die vorgeschriebene persönliche Schutzausrüstung!

7.1 Vor Arbeitsbeginn

- Prüfen Sie das Gerät vor Arbeitsbeginn auf seine Funktionalität.
- Prüfen Sie den Teleskop-Schiebebügel auf festen Sitz in den Griffbeslägen.
- Prüfen Sie den Kehrgutbehälter auf festen Sitz und Zustand.
- Prüfen Sie die Tellerbesen und die Feinschmutz-Kehrwalze hinsichtlich aufgespulter Fäden und Schnüre. Beseitigen Sie diese ggf.
- Prüfen Sie die Tellerbesen und die Feinschmutz-Kehrwalze auf festgeklemmte Teile oder Verschmutzungen.
- Prüfen Sie die Handgriffe auf Verschmutzungen und reinigen Sie diese ggf.

Höhenverstellung der Tellerbesen

Die Höhenverstellung der Tellerbesen befindet sich in der Mitte des Vorderteils. Mit der Höhenverstellung werden die Tellerbesen auf den zu kehrenden Untergrund eingestellt. Die Stufen beruhen auf Erfahrungswerten und sind demnach als Anhaltswerte zu betrachten. Infolgedessen müssen ggf. beim Kehren Anpassungen der Stufen je nach Untergrund vorgenommen werden.

- Stufe 1: für alle ebenen, harten Flächen (z. B. Asphalt, Beton, Platten...)
- Stufe 2: für feuchtes Laub, Sand, unebene Flächen (z. B. Waschbetonplatten)
- Stufe 3: für starke Verschmutzungen und stärkere Unebenheiten

HINWEIS

Pressen Sie den Tellerbesen nicht zu fest auf den Boden. Ein zu hoher Anpressdruck erzielt kein besseres Reinigungsergebnis, sondern führt zu einer Erhöhung des Schiebewiderstandes und des Verschleißes am Gerät.

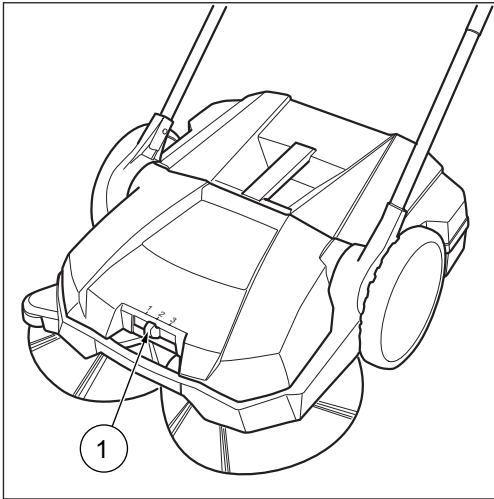


Abb. 10: Höhenverstellung Tellerbesen

- Stellen Sie die benötigte Stufe ein:
- Schieben Sie dazu den Hebel (1) in die gewünschte Position (Stufe 1-3) nach links oder rechts.
- » Die Maschine am Tragegriff leicht anheben. So erleichtern Sie den Vorgang der Höhenverstellung.

7.2 Betrieb

- Führen Sie das Gerät über den Teleskop-Schiebebügel mit beiden Händen.
- Schieben Sie das Gerät mit normaler Schrittgeschwindigkeit vorwärts.
- Entleeren Sie den Kehrgutbehälter bei Bedarf, siehe Abschnitt „Kehrgutbehälter entleeren“ in Kapitel 7.3 in dieser Bedienungsanleitung.

7.3 Kehrgutbehälter entleeren

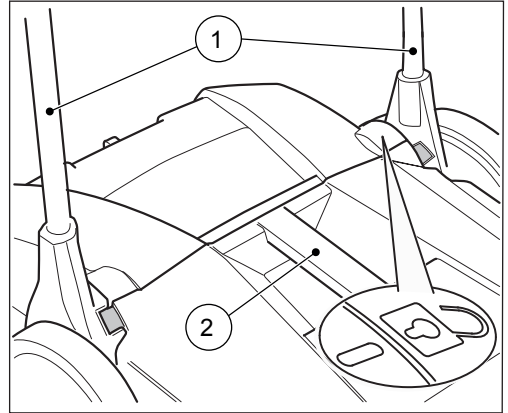


Abb. 11: Freigabeposition Kehrgutbehälter

- Entleeren Sie den Kehrgutbehälter nach jeder Anwendung.
 - Entleeren Sie den Kehrgutbehälter in regelmäßigen Abständen, um ein einwandfreies Kehrergebnis zu erzielen.
1. Bringen Sie den Teleskop-Schiebebügel (1) in die senkrechte Position.
 - » In dieser Position ist der Kehrgutbehälter für die Entnahme aus dem Gerät freigegeben. Dies zeigt auch das Symbol „Schloss entriegelt“ an.
 2. Ziehen Sie den Kehrgutbehälter an dem Handgriff (2) nach oben weg.
 3. Entleeren Sie den Kehrgutbehälter vollständig.
 - » Achten Sie darauf, dass auch die Gehäusekanten schmutzfrei sind.
 4. Setzen Sie den leeren Kehrgutbehälter am Gerät ein und bringen Sie den Teleskop-Schiebebügel zurück in die Bedienposition.
 - » In der Bedienposition des Teleskop-Schiebebügels ist der Kehrgutbehälter verriegelt.

Fehlerbehebung

8. Fehlerbehebung

⚠️ WARNUNG

Schnittgefahr durch Glasscherben, Metall oder andere, scharfkantige Materialien!

Beim Entleeren des Kehrgutbehälters können Schnittverletzungen durch Glasscherben, Metall oder andere, scharfkantige Materialien entstehen.

- Tragen Sie die vorgeschriebene persönliche Schutzausrüstung!

⚠️ VORSICHT

Gesundheitsgefährdung durch beim Kehren entstandene Stäube!

Das Einatmen von Stäuben kann die Gesundheit gefährden.

- Tragen Sie die vorgeschriebene persönliche Schutzausrüstung!

⚠️ VORSICHT

Verletzungsgefahr durch Umkippen des Teleskop-Schiebebügels!

Durch Umkippen des Teleskop-Schiebebügels kann es zu leichten Verletzungen wie z. B. Quetschen der Finger oder Blutergüssen beim Benutzer oder anderen Personen kommen.

- Halten Sie das Gerät beim Tragen so, dass der Teleskop-Schiebebügel nicht umkippen kann.

Trotz Einhaltung der vorgeschriebenen Wartungsarbeiten und Prüfung des Gerätes vor der Benutzung kann es zu Störungen kommen. Mögliche Störungen werden in der nachfolgenden Tabelle unter Angabe von Ursache und Abhilfe aufgelistet.

8.1 Störungstabelle

Störung	Ursache	Abhilfe
Gerät läuft schwer oder unruhig	Gerät verunreinigt	Gerät reinigen, siehe Kapitel 9.4
	Besen blockiert	Blockierung beseitigen, siehe Kapitel 9.2 „Blockierung beseitigen“
	Besenantriebe verunreinigt	Besenantriebe reinigen, siehe Kapitel 9.4 „Gerät reinigen“
	Höhenverstellung zu tief eingestellt, Anpressdruck der Tellerbesen zu hoch	Höhenverstellung einstellen, siehe Kapitel 7.1 im Abschnitt „Höhenverstellung einstellen“
	Tellerbesen drehen nicht	Service kontaktieren
Borsten sind verbogen	Unsachgemäße Aufbewahrung	Borsten ausrichten, siehe Kapitel 9.3 im Abschnitt „Borsten ausrichten“
Kehrergebnis unzureichend	Kehrlippe fehlt, ist lose oder stark abgenutzt	Kehrlippe ersetzen

9. Wartung und Reinigung



WARNUNG

Schnittgefahr durch Glasscherben, Metall oder andere, scharfkantige Materialien!

Beim Entleeren des Kehrgutbehälters können Schnittverletzungen durch Glasscherben, Metall oder andere, scharfkantige Materialien entstehen.

- Tragen Sie die vorgeschriebene persönliche Schutzausrüstung!



VORSICHT

Gesundheitsgefährdung durch beim Kehren entstandene Stäube!

Das Einatmen von Stäuben kann die Gesundheit gefährden.

- Tragen Sie die vorgeschriebene persönliche Schutzausrüstung!



VORSICHT

Verletzungsgefahr durch Umkippen des Teleskop-Schiebebügels!

Durch Umkippen des Teleskop-Schiebebügels kann es zu leichten Verletzungen wie z. B. Quetschen der Finger oder Blutergüssen beim Benutzer oder anderen Personen kommen.

- Halten Sie das Gerät beim Tragen so, dass der Teleskop-Schiebebügel nicht umkippen kann.



VORSICHT

Gefahr durch Reinigungsmittel!

Die Mittel können gesundheitsschädliche Bestandteile enthalten und können so zu Reizungen der Atemwege und der Haut führen.

- Sicherheitsdatenblatt des Herstellers beachten.
- Verschütten und Nebelbildung vermeiden.
- Bei der Arbeit nicht essen, trinken, rauchen.
- Haut- und Augenkontakt vermeiden.

In den nachstehenden Abschnitten sind die Wartungs- und Reinigungsarbeiten beschrieben, die für einen optimalen und störungsfreien Betrieb erforderlich sind.

Die Durchführung der benannten Arbeiten ist in einigen Fällen zeit- und/oder lastabhängig. Bei Intervallangabe sowohl in Fristen als auch in Betriebsstunden (Bh) gilt deshalb jeweils der Fall, der zuerst eintritt.

Bei Fragen zu den Wartungsarbeiten und -intervallen den Hersteller kontaktieren.

9.1 Wartungsplan

Wartungsintervall	Wartungsarbeiten
Vor Arbeitsbeginn	Prüfen Sie das Gerät auf seine Funktionalität und Beschädigungen. Kontaktieren Sie ggf. den Service.
	Prüfen Sie den Teleskop-Schiebebügel auf festen Sitz in den Griffbeschlägen.
	Prüfen Sie den Kehrgutbehälter auf festen Sitz und Zustand.
	Prüfen Sie die Tellerbesen und die Feinschmutz-Kehrwalze hinsichtlich aufgespulter Fäden und Schnüre. Beseitigen Sie diese ggf.
	Prüfen Sie den Tellerbesen und Feinschmutz-Kehrwalze auf festgeklemmte Teile oder Verschmutzungen.
	Prüfen Sie die Handgriffe auf Verschmutzungen und reinigen Sie diese ggf.
	Prüfen Sie die Höhenverstellung auf die richtige Höhe.
Nach Arbeitsende	Kehrgutbehälter leeren.
	Gerät reinigen.
8 Bh	Besenantriebe reinigen.

9.2 Blockierung beseitigen

- Beseitigen Sie aufgespultes Material (z. B. Schnüre, Fäden...) von Borsten und Achsen.
- Beseitigen Sie eingeklemmtes Material (z. B. Steine, Äste, Laub...).

Wartung und Reinigung

Außerbetriebnahme

9.3 Borsten ausrichten



WARNUNG

Brandgefahr durch unsachgemäßen Umgang mit einem Gebläse oder durch Nutzung ungeeigneter Gebläse!

Beim Ausrichten der Borsten besteht Brandgefahr, wenn beim Erwärmen zu hohe Temperaturen entstehen.

- Keine offenen Flammen oder Brenner zum Erwärmen der Borsten verwenden!
- Kein Heißluftgebläse verwenden. Die Borsten können durch zu heiße Luft schmelzen.

Verbogene Borsten können mittels eines Warmluftgebläses (z. B. Haartrockner) durch Erwärmung wieder ausgerichtet werden.

- Richten Sie das eingeschaltete Warmluftgebläse auf die verbogenen Borsten.
- » Bei ausreichender Erwärmung richten sich die Borsten von alleine wieder auf.

9.4 Gerät reinigen

- Verwenden Sie keine fettlösenden Mittel.
 - Verwenden Sie keine scharfen Reinigungsmittel.
 - Reinigen Sie das Gerät nicht mit einem Hochdruckreiniger oder unter fließendem Wasser. Das Gerät darf weder in Wasser getaucht noch mit Wasser abgeputzt werden.
 - Schützen Sie die Lagerstellen vor Feuchtigkeit.
 - Reinigen Sie die Tellerbesen und Feinschmutz-Kehrwalze nicht mit Druckluft.
 - » Der harte Luftstrahl kann die Borsten beschädigen.
1. Reinigen Sie die Tellerbesen, die Feinschmutz-Kehrwalze und Antriebe mit einem nassen Lappen.
 2. Reinigen Sie alle Kunststoffteile mit einem feuchten Tuch.

10. Außerbetriebnahme

10.1 Teleskop-Schiebebügel demontieren



VORSICHT

Verletzungsgefahr durch Umkippen des Teleskop-Schiebebügels!

Durch Umkippen des Teleskop-Schiebebügels kann es zu leichten Verletzungen wie z. B. Quetschen der Finger oder Blutergüssen beim Benutzen oder anderen Personen kommen.

- Halten Sie das Gerät beim Tragen so, dass der Teleskop-Schiebebügel nicht umkippen kann.

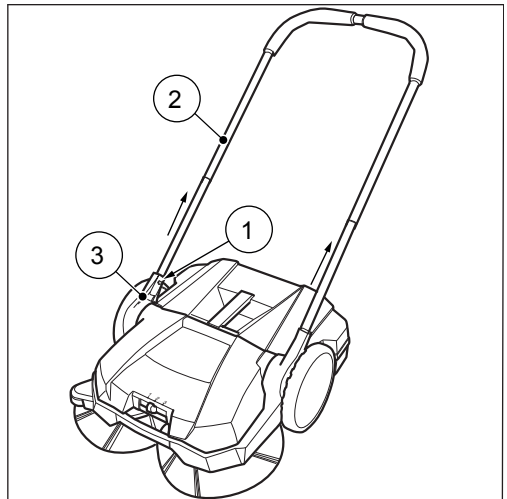


Abb. 12: Teleskop-Schiebebügeldemontage

1. Drücken Sie die Rastfedern (1) an beiden Seiten nach innen, so dass der Teleskop-Schiebebügel (2) zur Entnahme freigegeben ist.
2. Ziehen Sie den Teleskop-Schiebebügel (2) gleichzeitig aus den beiden Griffbeslägen (3).

10.2 Entsorgung

- Entsorgen Sie das Gerät umweltgerecht entsprechend der regional geltenden gesetzlichen Vorschriften.

Table des matières

1.	Généralités	30
1.1	Adresse	30
1.2	Conventions	30
1.3	Symboles et signalisations	30
1.4	Limitation de la responsabilité	30
1.5	Garantie	30
1.6	Protection du droit d'auteur	31
1.7	Groupe cible	31
2.	Sécurité	31
2.1	Utilisation correcte	31
2.2	Utilisation non correcte	31
2.3	Responsabilité de l'utilisateur	31
2.4	Consignes générales de sécurité	32
2.5	Indications de danger sur l'appareil	32
2.6	Équipement de protection personnelle	32
3.	Caractéristiques techniques	32
4.	Structure et fonctionnement	33
5.	Transport/transporter	34
5.1	Livraison	34
5.2	Étendue de la livraison	34
5.3	Traitement des matériaux d'emballage	34
5.4	Stockage / conservation	34
5.5	Transport de l'appareil	35
5.6	Transport de l'appareil dans un véhicule	35
6.	Mise en service	36
6.1	Assemblage de l'arceau rétractable télescopique	36
6.2	Montage de l'arceau rétractable télescopique	36
6.3	Réglage de la hauteur de l'arceau rétractable télescopique	37
7.	Commande	37
7.1	Avant de commencer à travailler	37
7.2	Utilisation	38
7.3	Vidage du container à déchets	38
8.	Dépannage	39
8.1	Tableaux des dysfonctionnements	39
9.	Maintenance et nettoyage	40
9.1	Plan de maintenance	40
9.2	Retrait des blocages	40
9.3	Orientez les brosses	41
9.4	Nettoyage de l'appareil	41
10.	Mise hors service	41
10.1	Démontage de l'arceau rétractable télescopique	41
10.2	Mise au rebut	41

Généralités

1. Généralités

Ce manuel d'utilisation est un composant de la balayeuse BG355 (fabriquée à partir de 2017) et est exclusivement valable pour l'appareil en question.

Le manuel d'utilisation contient des indications importantes pour la manipulation sûre et efficace de l'appareil.

La condition préalable pour un travail sûr avec l'appareil est le respect de toutes les consignes de sécurité et de manipulation.

- Veuillez lire le manuel d'utilisation avec soin avant d'utiliser l'appareil.
- Lisez les consignes de sécurité !
- Conservez ce manuel d'utilisation pendant la durée de vie de l'appareil dans un endroit sûr et accessible.
- Remettez le manuel d'utilisation à tout nouveau propriétaire ou utilisateur de l'appareil.

1.1 Adresse

Bissell BigGreen Commercial
100 Armstrong Road
Suite 101
Plymouth, MA 02360
Tel.: 1-800-242-1378
Fax: 1-877-672-4566
www.bissellcommercial.com

1.2 Conventions

Afin de pouvoir travailler de façon optimale avec le manuel d'utilisation, vous devez prendre en compte les explications suivantes sur les conventions typographiques.

Énumération

- Les textes représentés de la manière suivante sont des points d'une énumération.

Séquence de travail

1. Étape 1 de la séquence de travail
2. Étape 2 de la séquence de travail
3. Étape 3 de la séquence de travail

La séquence des étapes de travail doit être respectée.

Conseil

- » Les conseils et les consignes (pas les dommages aux machines) sont représentés de la manière suivante.

1.3 Symboles et signalisations

Respectez obligatoirement tous les avertissements et consignes de sécurité ! Lors de l'utilisation, soyez toujours prudent afin d'éviter les accidents, les dommages personnels et matériels !

Structure des consignes de sécurité



MOT DE SIGNALISATION

Type et source du danger

Conséquences possibles

- Mesure pour éviter le danger

Niveau de danger

Niveau de danger	Probabilité d'occurrence	Conséquence en cas de non-respect
DANGER	Immédiat	Mort, blessures corporelles graves
AVERTISSEMENT	Possible	Mort, blessures corporelles graves
ATTENTION	Possible	Blessure corporelle légère
NOTA	Possible	Dommages matériels

1.4 Limitation de la responsabilité

Pour les dommages et les dommages consécutifs découlant des points présentés ci-après, Bissell Commercial n'accepte aucune responsabilité :

- non-respect du manuel d'utilisation ;
- utilisation de pièces de rechange non autorisées / pièces de rechange erronées / pièces de rechange ne correspondant pas aux spécifications du fabricant ;
- modifications de votre propre chef, montage et modification sur / de l'appareil.

1.5 Garantie

Les prescriptions décrites dans les conditions commerciales générales de Bissell Commercial s'appliquent.

1.6 Protection du droit d'auteur

Le manuel d'utilisation est protégé en ce qui concerne les droits d'auteur pour Bissell Commercial.

Le manuel d'utilisation contient des consignes et des dessins ou des extraits de dessin à caractère technique ne devant être dupliqués, distribués ou utilisés sans autorisation à des fins publiques ou bien communiqués à des tiers, que ce soit en partie ou dans leur totalité.

Bissell Commercial se réserve l'accord d'autorisation d'utilisation de publication ou de distribution de copies ou d'informations tirées de ce manuel d'utilisation à des tiers.

Toute contravention est susceptible d'une demande de dommages et intérêts de la part du fabricant. Tous les autres droits sont réservés.

1.7 Groupe cible

Ce manuel d'utilisation est destiné à l'utilisateur de cette balayeuse.

2. Sécurité

Suivez les consignes ci-dessous afin d'éviter les dysfonctionnements, les dommages et les atteintes à votre santé !

2.1 Utilisation correcte

La balayeuse 355 est uniquement destinée à enlever des saletés présentes sur les voies de circulation comme le feuillage, l'herbe, les débris, le sable et autres déchets sur des surfaces planes et dures.

2.2 Utilisation non correcte

Toute autre utilisation que celle décrite dans le chapitre « Utilisation correcte » est considérée comme non correcte. Les dommages en résultant relèvent de la seule responsabilité de l'utilisateur de l'appareil.

La balayeuse ne doit pas être utilisée pour le balayage de substances mettant en danger la santé, inflammables ou incandescentes (cigarettes et allumettes), de liquides, de poussières explosives ou dangereuses (Ex), d'acides ou de diluants.

La balayeuse ne peut pas non plus être utilisée pour le balayage d'eau.

La balayeuse ne doit pas être employée dans des zones explosibles ou bien comme moyen de transport.

2.3 Responsabilité de l'utilisateur

Un utilisateur est une personne naturelle ou juridique utilisant la balayeuse ou qui la transmet à un tiers et est responsable pendant l'utilisation de la sécurité de l'utilisateur ou de tiers.

- Surveillez les enfants se trouvant à proximité de la zone d'utilisation afin de s'assurer qu'ils ne jouent pas avec la machine.
- Les mineurs ne doivent pas travailler avec l'appareil. Toutefois, les personnes âgées de plus de 16 ans et ayant été formés sous surveillance sont exemptés de cette interdiction.
- Les personnes dont la capacité de réaction est influencée, par exemple par les drogues, l'alcool ou les médicaments ne doivent pas travailler avec l'appareil.
- Les personnes ne devant pas se fatiguer à cause de leur état de santé ne doivent pas effectuer de travail avec la balayeuse.
- Remplacez les indications devenues illisibles sur la machine.

Sécurité

Caractéristiques techniques

2.4 Consignes générales de sécurité

- Les emballages doivent être mis hors d'atteinte des enfants. Il existe un risque d'étouffement !
- Ne portez pas les cheveux longs et non attachés, une cravate, des vêtements larges ni des bijoux, y compris les bagues.
- Lors de la manipulation de la balayeuse, prenez en compte le fait que des risques de blessure sont possibles suite à un accrochage et un happement.

2.5 Indications de danger sur l'appareil

Les pictogrammes suivants sont visibles sur la balayeuse :



ATTENTION

Lors du travail, veillez à respecter les consignes de sécurité décrites dans ce manuel d'utilisation.



Manuel d'utilisation

Veillez lire le manuel d'utilisation avec soin avant d'utiliser l'appareil.

2.6 Équipement de protection personnelle

Lors du travail, le port d'un équipement de protection est nécessaire afin de minimiser les dangers pour votre santé. Pour cette raison :

- avant de commencer quelque travail que ce soit, porter correctement l'équipement de protection nommé pendant le travail.



Chaussures solides

Portez des chaussures solides avec des semelles avec bonne accroche et ne glissant pas.



Gants solides

Portez des gants solides.



Masque à poussière

Portez un masque à poussière.

3. Caractéristiques techniques

Données de base de la BG355

Caractéristiques techniques	Valeur
Hauteur (en fonction du réglage de la hauteur de l'arceau rétractable télescopique) En millimètres [mm]	1 150 / 1 200 / 1 250
Largeur En millimètres [mm]	550
Longueur En millimètres [mm]	580
Largeur de balayage En millimètres [mm]	550
Puissance de balayage En mètres carrés, par heure [m ² /h]	1 600
Capacité du conteneur de la balayeuse En litre [l]	20
Poids En kilogramme [kg]	7,2

4. Structure et fonctionnement

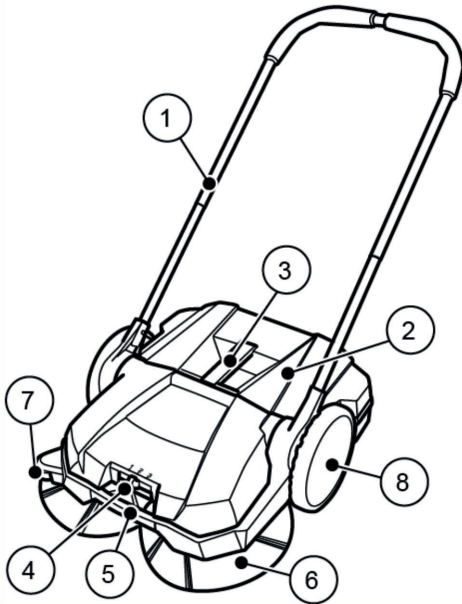


Illustration 1 : Vue d'ensemble des composants 1

N° du repère	Composant
1	Arceau rétractable télescopique
2	Récipient pour éléments balayés
3	Poignée du récipient pour éléments balayés
4	Réglage en hauteur des brosses rotatives
5	Poignée de transport
6	Brosse rotative
7	Rouleau latéral de guidage
8	Roue d'avancement

L'appareil avance lorsqu'il est poussé, via l'arceau rétractable télescopique (1). Ce faisant, les deux brosses rotatives (6) transportent, avec l'aide de la lèvre de balayage (11), l'élément balayé en direction du container (2). Le rouleau de balayage de déchets de petite taille (9) déplace le reste des déchets dans le container (2).

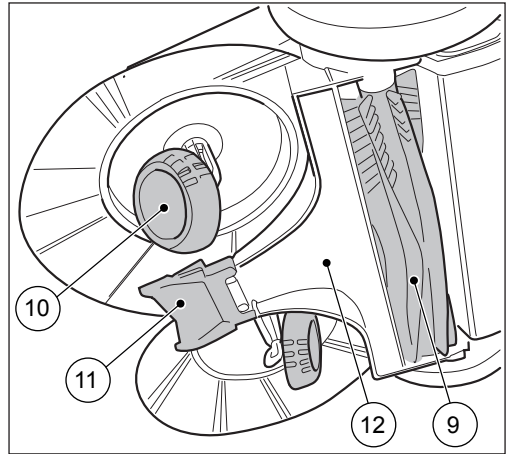


Illustration 2 : Vue d'ensemble des composants 2

N° du repère	Composant
9	Rouleau de balayage pour déchets de petite taille
10	Roue oblique
11	Lèvre de balayage
12	Plaque de balayage

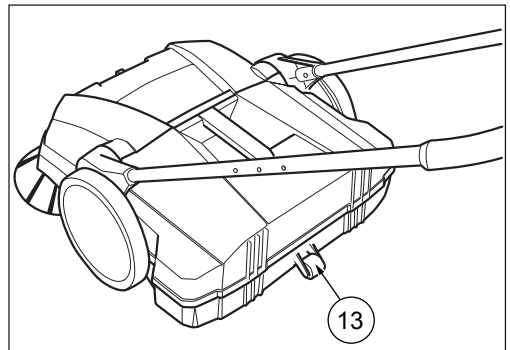


Illustration 3 : Vue d'ensemble des composants 3

N° du repère	Composant
13	Rouleau multiple

Structure et fonctionnement

Transport/transporter

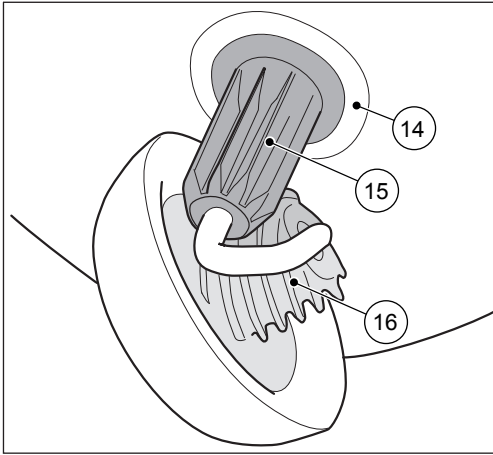


Illustration 4 : Vue détaillée des brosses rotatives

N° du repère	Composant
14	Accouplement
15	Douille dentée
16	Denture

5. Transport/transporter

5.1 Livraison

NOTA

Les dommages visibles sur l'emballage externe doivent être confirmés immédiatement par le chauffeur du service de transport lors de la livraison. Si un dommage n'est détecté que lors du déballage, l'entreprise chargée du transport doit être notifiée par écrit dans les 24 heures après livraison afin qu'elle puisse en être redevable.

5.2 Étendue de la livraison

- Appareil
- Arceau rétractable télescopique
- Tubes à 2 télescopes
- Manuel d'utilisation

5.3 Traitement des matériaux d'emballage

- Débarrassez-vous toujours des matériaux d'emballage en respectant l'environnement.
- Observez les règlements locaux et régionaux légaux en vigueur.

5.4 Stockage / conservation

NOTA

La conservation incorrecte peut entraîner des dommages de la balayeuse.

- Ne stockez l'appareil qu'une fois propre et avec un container vide.
- » Vous trouverez les informations sur le vidage du container au chapitre 7.3 et celles concernant le nettoyage au chapitre 9.4 de ce manuel d'utilisation.

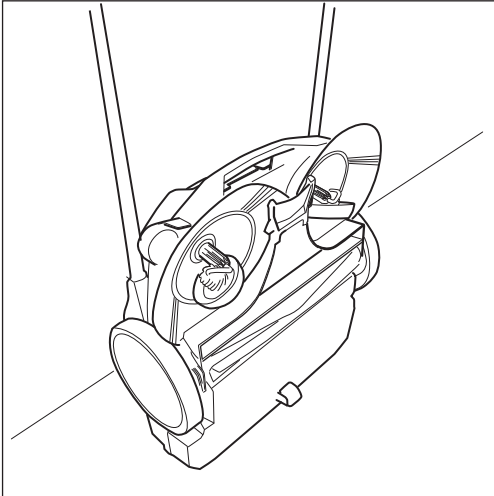


Illustration 5 : Position de stockage

- Placez l'appareil de façon à ce que les brosses ne soient pas pliées ni courbées.
- Assurez l'appareil, arceau rétractable télescopique inclus, contre un renversement, un glissement et contre tout dommage.
- Ne stockez pas l'appareil à l'air libre ou dans un environnement humide.

5.5 Transport de l'appareil

ATTENTION

Risque de blessure en cas de renversement de l'arceau rétractable télescopique !

Le renversement de l'arceau rétractable télescopique peut causer des blessures légères comme l'écrasement des doigts ou des hématomes de l'utilisateur ou d'autres personnes.

- Lors du transport, maintenez l'appareil de façon à ce que l'arceau rétractable télescopique ne puisse pas se renverser.

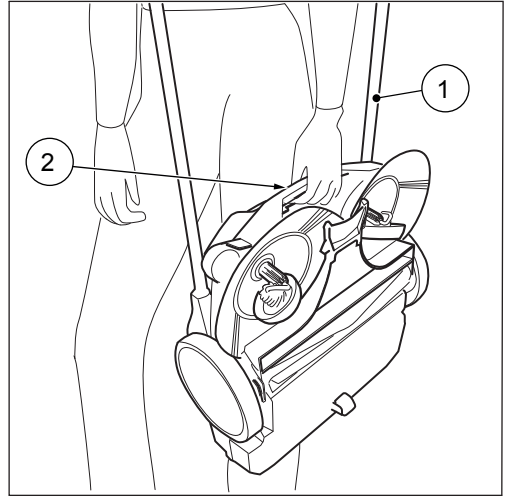


Illustration 6 : Transport de l'appareil

1. Basculez l'arceau rétractable télescopique (1) à plat vers l'avant.
2. Prenez l'appareil par la poignée de transport (2).
3. Transportez l'appareil de façon à ce que les brosses rotatives ne pointent pas vers le corps.

5.6 Transport de l'appareil dans un véhicule

ATTENTION

Risque de blessure suite à un transport non conforme de la balayeuse !

Un appareil se renversant lors d'un glissement, en cours de glissement ou de renversement peut causer des blessures du chauffeur ou d'autres personnes.

- Assurez l'appareil avec une courroie tendue contre le glissement ou le renversement.

1. Placez l'appareil dans un endroit approprié du véhicule.
2. Sécurisez l'appareil à l'aide d'une sangle.

NOTA

Le transport incorrect peut entraîner des dommages de la balayeuse.

Mise en service

6. Mise en service

6.1 Assemblage de l'arceau rétractable télescopique

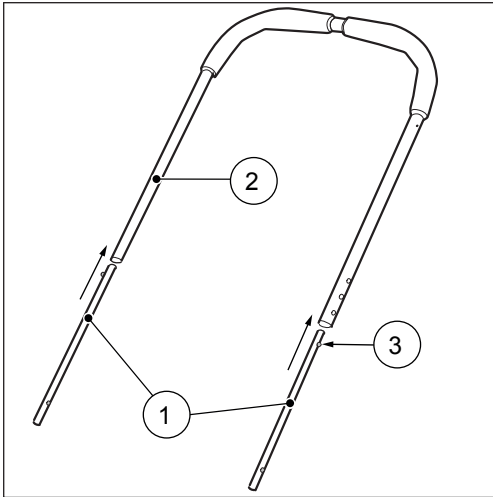


Illustration 7 : Montage de l'arceau rétractable télescopique

Lors du montage, les deux tubes télescopiques (1) et l'arceau rétractable télescopique (2) se présentent sous forme d'une pièce unique.

1. Enfoncez les deux ressorts enclenchables (3) des deux côtés des tubes télescopiques vers l'intérieur.
 2. Enfoncez les tubes télescopiques (1) dans l'arceau rétractable (2).
 3. Enfoncez les tubes télescopiques dans l'arceau rétractable assez profondément pour que les ressorts s'enclenchent.
- » Veillez à ce que les ressorts s'enclenchent à la même profondeur des deux côtés.

6.2 Montage de l'arceau rétractable télescopique

⚠ ATTENTION

Risque de blessure en cas de renversement de l'arceau rétractable télescopique !

Le renversement de l'arceau rétractable télescopique peut causer des blessures légères comme l'écrasement des doigts ou des hématomes de l'utilisateur ou d'autres personnes.

- Lors du transport, maintenez l'appareil de façon à ce que l'arceau rétractable télescopique ne puisse pas se renverser.

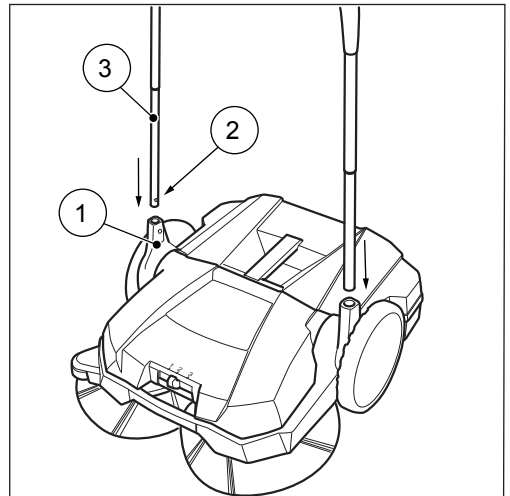


Illustration 8 : Montage de l'arceau rétractable télescopique

1. Faites tourner les ferrures de poignées (1) en position verticale.
2. Enfoncez les ressorts à enclenchement (2) sur les deux côtés de l'arceau rétractable télescopique.
3. Poussez l'arceau rétractable télescopique (3) simultanément dans les deux ferrures de poignées.
4. Enfoncez l'arceau rétractable télescopique dans les ferrures de poignée suffisamment pour que les ressorts s'enclenchent.

6.3 Réglage de la hauteur de l'arceau rétractable télescopique

Vous pouvez régler l'arceau rétractable télescopique (1) à trois niveaux pour l'adapter à la taille de l'utilisateur.

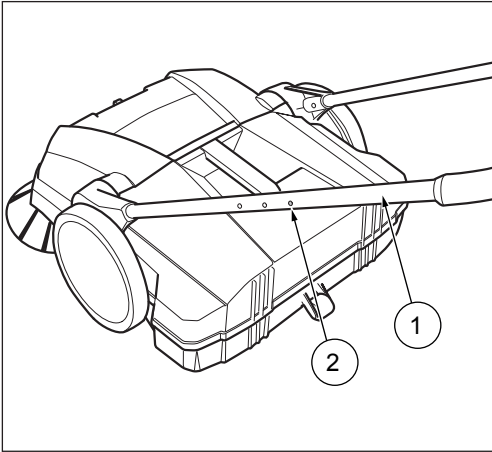


Illustration 9 : Réglage de la hauteur de l'arceau rétractable télescopique

1. Enfoncez les ressorts à enclenchement (2) sur les deux côtés de l'arceau rétractable télescopique.
2. Déplacez l'arceau rétractable télescopique en fonction de votre taille.
 - » Les ressorts (2) doivent s'enclencher visiblement et de manière audible dans la position souhaitée.

7. Commande



AVERTISSEMENT

Risque de coupure dû à des éclats de verre, des morceaux de métal ou autres matériaux à arêtes vives !

Lors du vidage du container, peuvent se produire des coupures dues à des éclats de verre, des morceaux de métal ou à d'autres matériaux à arêtes vives.

- Portez l'équipement de protection personnelle prescrit !



ATTENTION

Risque pour la santé dû aux poussières soulevées lors du balayage !

L'inhalation de poussières peut mettre votre santé en danger.

- Portez l'équipement de protection personnelle prescrit !

7.1 Avant de commencer à travailler

- Contrôlez le fonctionnement de l'appareil avant de commencer à travailler.
- Contrôlez que l'assise de l'arceau rétractable télescopique est stable dans les ferrures de poignée.
- Contrôlez l'assise et l'état corrects du container à déchets.
- Contrôlez que les fibres et les cordons des brosses rotatives et des rouleaux de balayage des déchets de petite taille ne sont pas sortis. Le cas échéant, retirez-les.
- Contrôlez l'absence de déchets ou de saletés collés sur les brosses rotatives et les rouleaux de balayage des déchets de petite taille.
- Contrôlez l'absence de saletés sur les poignées et nettoyez-les le cas échéant.

Réglage en hauteur des brosses rotatives

Le réglage en hauteur des brosses rotatives se trouve au centre de la partie avant. Avec ce réglage en hauteur, vous pouvez régler les brosses rotatives par rapport au sol que vous devez balayer. Les niveaux sont établis sur la base de valeurs prévues et doivent donc être considérées comme des valeurs-repères. Ceci signifie qu'il faudra, le cas échéant, adapter les niveaux en fonction du sol balayé.

- Niveau 1 : pour tous les niveaux, surfaces dures (par exemple, asphalté, béton, plaques...)
- Niveau 2 : pour le feuillage humide, le sable, les surfaces inégales (par exemple les plaques de béton désactivé)
- Niveau 3 : pour les saletés importantes et les inégalités prononcées du sol

Utilisation

NOTA

N'appuyez pas les brosses rotatives trop fortement sur le sol. Une pression trop forte n'améliore pas les résultats du balayage mais entraîne une augmentation de la résistance et de l'usure de l'appareil.

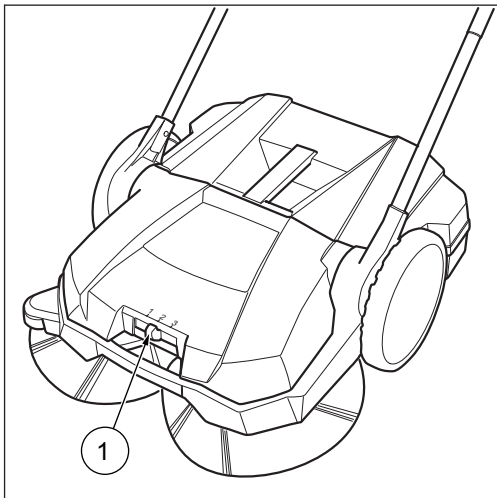


Illustration 10 : Réglage en hauteur des brosses rotatives

- Réglez les niveaux dont vous avez besoin :
- Pour ce faire, placez le levier (1) dans la position souhaitée (niveau 1 à 3) vers la gauche ou la droite.
- » Soulevez légèrement la machine au niveau de la poignée de transport. Vous faciliterez ainsi le réglage de la hauteur.

7.2 Utilisation

- Déplacez l'appareil à l'aide de l'arceau rétractable télescopique, avec les deux mains.
- Déplacez l'appareil à vitesse normale - au pas - vers l'avant.
- Videz le récipient à déchets si nécessaire, voir la section « Vidage du container à déchets » du chapitre 7.3 de ce manuel d'utilisation.

7.3 Vidage du container à déchets

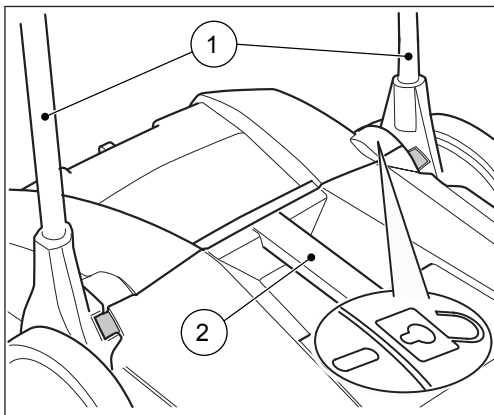


Illustration 11 : Position de libération du container à déchets

- Videz le container à déchets après chacune des utilisations.
 - Videz régulièrement le container à déchets afin que le balayage se fasse sans difficulté.
1. Mettez l'arceau rétractable télescopique (1) en position verticale.
 - » Dans cette position, le container est libéré et peut être retiré de l'appareil. Ceci est également signalé par le symbole « Cadenas déverrouillé ».
 2. Tirez le container à déchets vers le haut au niveau de la poignée (2).
 3. Videz complètement le container.
 - » Veillez à ce que les bords du bâti soit également propres.
 4. Placez le container sur l'appareil et remettez l'arceau rétractable télescopique en position d'utilisation.
 - » Dans cette position de l'arceau rétractable télescopique, le container à déchets est verrouillé.

8. Dépannage



AVERTISSEMENT

Risque de coupure dû à des éclats de verre, des morceaux de métal ou autres matériaux à arêtes vives !

Lors du vidage du container à déchets, des coupures dues à des éclats de verre, des morceaux de métal ou autres matériaux à arêtes vives peuvent se produire.

- Portez l'équipement de protection personnelle prescrit !



ATTENTION

Risque pour la santé dû aux poussières soulevées lors du balayage !

L'inhalation de poussières peut mettre votre santé en danger.

- Portez l'équipement de protection personnelle prescrit !



ATTENTION

Risque de blessure en cas de renversement de l'arceau rétractable télescopique !

Le renversement de l'arceau rétractable télescopique peut causer des blessures légères comme l'écrasement des doigts ou des hématomes de l'utilisateur ou d'autres personnes.

- Lors du transport, maintenez l'appareil de façon à ce que l'arceau rétractable télescopique ne puisse pas se renverser.

Malgré le respect des tâches prévues de maintenance et le contrôle de l'appareil avant son utilisation, des dysfonctionnements peuvent se produire. De possibles dysfonctionnements sont inclus dans le tableau ci-dessous avec leur cause et leur résolution.

8.1 Tableaux des dysfonctionnements

Dysfonctionnement	Cause	Dépannage
L'appareil fonctionne difficilement ou de manière bruyante	Appareil sale	Nettoyer l'appareil, voir chapitre 9.4
	Brosse rotative bloquée	Supprimer le blocage, voir le chapitre 9.2 « Suppression du blocage »
	Entraînement de brosse sale	Nettoyer l'entraînement de brosse, voir le chapitre 9.4 « Nettoyage de l'appareil »
	Réglage de la hauteur trop bas, pression sur les brosses rotatives trop élevée	Régler la hauteur, voir le chapitre 7.1 dans la section « Réglage de la hauteur »
	Les brosses rotatives ne tournent pas	Contactez le service
Les brosses sont courbées	Conservation incorrecte	Redresser les brosses, voir le chapitre 9.3 dans la section « Orientation des brosses »
Résultat du balayage insuffisant	La lèvre de balayage manque, est desserrée ou fortement usée	Remplacer la lèvre de balayage

Maintenance et nettoyage

9. Maintenance et nettoyage



AVERTISSEMENT

Risque de coupure dû à des éclats de verre, des morceaux de métal ou autres matériaux à arêtes vives !

Lors du vidage du container à déchets, des coupures dues à des éclats de verre, des morceaux de métal ou autres matériaux à arêtes vives peuvent se produire.

- Portez l'équipement de protection personnelle prescrit !



ATTENTION

Risque pour la santé dû aux poussières soulevées lors du balayage !

L'inhalation de poussières peut mettre votre santé en danger.

- Portez l'équipement de protection personnelle prescrit !



ATTENTION

Risque de blessure en cas de renversement de l'arceau rétractable télescopique !

Le renversement de l'arceau rétractable télescopique peut causer des blessures légères comme l'écrasement des doigts ou des hématomes de l'utilisateur ou d'autres personnes.

- Lors du transport, maintenez l'appareil de façon à ce que l'arceau rétractable télescopique ne puisse pas se renverser.



ATTENTION

Danger dû aux produits de nettoyage !

Les substances peuvent contenir des particules nuisibles pour la santé et peuvent donc causer des irritations des voies respiratoires et de la peau.

- Prenez en compte la fiche de sécurité du fabricant.
- Évitez de renverser le container et la formation de brouillard.
- Lorsque vous travaillez, ne buvez pas, ne mangez pas et ne fumez pas.
- Évitez les contacts avec la peau et les yeux.

Dans les sections ci-après, vous trouverez une description des travaux de maintenance et de nettoyage nécessaires pour un fonctionnement optimal et sans dérangement.

L'exécution de ces tâches est, dans certains cas, en relation avec la durée ou la charge. Pour ce qui est de l'indication de la durée, que ce soit en délais comme en heures de fonctionnement (HF), la première donnée est celle qui s'applique.

En cas de question sur les tâches et les intervalles de maintenance, contactez le fabricant.

9.1 Plan de maintenance

Intervalle de maintenance	Tâches de maintenance
Avant le début du travail	Contrôlez le fonctionnement de l'appareil et l'absence de dommages. Le cas échéant, contactez le service.
	Contrôlez que l'assise de l'arceau rétractable télescopique est stable dans les ferrures de poignée.
	Contrôlez l'assise et l'état corrects du container à déchets.
	Contrôlez que les fibres et les cordons des brosses rotatives et des rouleaux de balayage des déchets de petite taille ne sont pas sortis. Le cas échéant, retirez-les.
	Contrôlez l'absence de déchets ou de saletés collés sur la brosse rotative et le rouleau de balayage des déchets de petite taille.
	Contrôlez l'absence de saletés sur les poignées et nettoyez-les le cas échéant.
	Contrôlez que le réglage en hauteur est correct.
Après la fin du travail	Contrôlez le réglage de la pression de balayage. Le cas échéant, appuyez le système de balayage sur le sol à balayer.
	Videz le container.
	Nettoyez l'appareil.
8 HF	Nettoyez l'entraînement de balayage.

9.2 Retrait des blocages

- Retirez le matériau s'étant enroulé (cordes, fils....) des brosses et des essieux.
- Retirez le matériau bloqué (comme les pierres, les branches, le feuillage...).

Maintenance et nettoyage

Mise hors service

9.3 Orientez les brosses



AVERTISSEMENT

Risque d'incendie suite à une manipulation incorrecte avec un ventilateur ou à l'utilisation d'un ventilateur non adapté !

Lors de l'orientation des brosses, il existe un risque d'incendie si des températures trop élevées sont atteintes lors du chauffage.

- N'utilisez pas de flammes ou de brûleur pour chauffer les brosses !
- Ne pas utiliser de souffleur à air chaud. Ceci peut entraîner la fonte des brosses.

Les brosses cachées peuvent être réorientées à l'aide d'un souffleur à air tiède (comme un sèche-cheveux) grâce au réchauffement de celles-ci.

- Orientez le souffleur à air tiède en marche sur les brosses cachées.
 - » Lorsque le réchauffement est suffisant, les brosses se réorientent d'elles-mêmes.

9.4 Nettoyage de l'appareil

- N'utilisez pas de substance dissolvant la graisse.
 - N'utilisez pas de produit de nettoyage agressif.
 - Ne nettoyez pas l'appareil avec un nettoyeur à haute pression ou bien à l'eau courante. L'appareil ne doit pas être immergé dans l'eau ou bien être aspergé.
 - Protégez les sites de stockage de l'humidité.
 - Ne nettoyez pas les brosses rotatives et les rouleaux de déchets de petite taille avec de l'air comprimé.
 - » Le jet d'air puissant peut endommager les brosses.
1. Nettoyez les brosses rotatives, les rouleaux de déchets de petite taille et les entraînements avec un chiffon humide.
 2. Nettoyez toutes les pièces de plastique avec un chiffon humide.

10. Mise hors service

10.1 Démontage de l'arceau rétractable télescopique



ATTENTION

Risque de blessure en cas de renversement de l'arceau rétractable télescopique !

Le renversement de l'arceau rétractable télescopique peut causer des blessures légères comme l'écrasement des doigts ou des hématomes de l'utilisateur ou d'autres personnes.

- Lors du transport, maintenez l'appareil de façon à ce que l'arceau rétractable télescopique ne puisse pas se renverser.

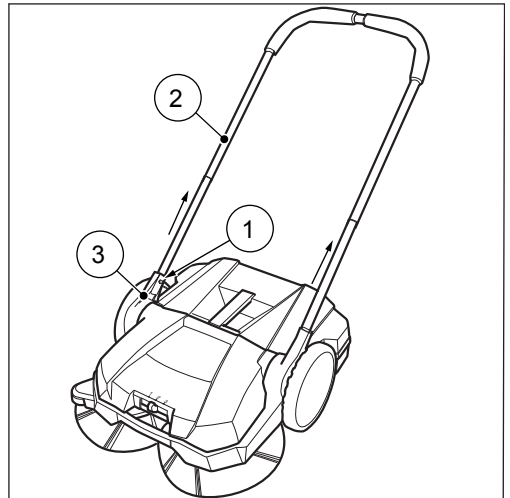


Illustration 12 : Démontage de l'arceau rétractable télescopique

1. Appuyez sur les ressorts à enclenchement (1), des deux côtés et vers l'intérieur, de façon à ce que l'arceau rétractable télescopique (2) soit libéré pour le retirer.
2. Retirez simultanément l'arceau rétractable télescopique (2) hors des deux ferrures de poignées (3).

10.2 Mise au rebut

- Mettez l'appareil au rebut en respectant l'environnement et selon les dispositions en vigueur dans votre pays.

Índice de contenido

1.	Generalidades	43
1.1	Dirección	43
1.2	Convenciones	43
1.3	Iconos y señalizaciones.....	43
1.4	Limitación de la responsabilidad.....	43
1.5	Garantía	43
1.6	Derechos de autor	44
1.7	Grupo objetivo	44
2.	Seguridad.....	44
2.1	Uso correcto y conforme a la finalidad	44
2.2	Uso no conforme a la finalidad	44
2.3	Responsabilidad del usuario.....	44
2.4	Advertencias de seguridad generales	45
2.5	Advertencia de peligro en la máquina	45
2.6	Equipo de protección individual	45
3.	Características técnicas	45
4.	Estructura y función	46
5.	Transporte.....	47
5.1	Suministro	47
5.2	Volumen de suministro	47
5.3	Manipulación del material de embalaje	47
5.4	Almacenaje/Conservación.....	47
5.5	Cómo llevar el aparato	48
5.6	Transporte del aparato en el vehículo	48
6.	Puesta en marcha	49
6.1	Montaje del manillar telescópico	49
6.2	Montaje del manillar telescópico	49
6.3	Ajuste de altura del manillar telescópico.....	50
7.	Manejo.....	50
7.1	Antes de iniciar el trabajo.....	50
7.2	Servicio.....	51
7.3	Vaciado del recipiente recogedor	51
8.	Subsanación de fallos	52
8.1	Tabla de fallos	52
9.	Mantenimiento y limpieza.....	53
9.1	Plan de mantenimiento	53
9.2	Eliminación de bloqueo	53
9.3	Enderezar las cerdas.....	54
9.4	Limpiar el aparato.....	54
10.	Puesta fuera de servicio.....	54
10.1	Montaje del manillar telescópico	54
10.2	Eliminación.....	54

1. Generalidades

Estas instrucciones de manejo forman parte de la barredora BG355 (año de fabricación a partir de 2017) y son aplicables exclusivamente al aparato mencionado.

El manual de instrucciones incluye instrucciones importantes para un uso seguro y eficiente del aparato.

Para trabajar de forma segura con el aparato es imprescindible cumplir todas las advertencias de seguridad e instrucciones de manipulación contenidas en el manual.

- Lea atentamente el manual de instrucciones antes de utilizar el aparato.
- ¡Lea las advertencias de seguridad!
- Conserve el manual de instrucciones durante la vida útil del aparato siempre de forma segura y accesible.
- Entregue el manual de instrucciones a cualquier posterior poseedor o usuario de la máquina.

1.1 Dirección

Bissell BigGreen Commercial
100 Armstrong Road
Suite 101

Plymouth, MA 02360
Tel.: 1-800-242-1378

Fax: 1-877-672-4566

www.bissellcommercial.com

1.2 Convenciones

Para poder trabajar de forma óptima con el manual de instrucciones, deben observarse las siguientes aclaraciones sobre convenciones tipográficas:

Listado

- Los textos así representados son puntos de enumeración.

Secuencia de trabajo

1. Paso 1 de la secuencia
2. Paso 2 de la secuencia
3. Paso 3 de la secuencia

Debe cumplirse estrictamente la secuencia de pasos de trabajo.


Consejo

- » Los consejos e instrucciones (sin daños en la máquina) se presentan así.




1.3 Iconos y señalizaciones

¡Cumpla todas las advertencias de seguridad y precaución! Al trabajar hay que actuar siempre con precaución, para evitar accidentes y daños a personas u objetos.

Estructura de las advertencias de seguridad

 PALABRA DE AVISO	
Tipo y origen del peligro	
Posibles consecuencias	
<ul style="list-style-type: none"> • Medidas para evitar peligros 	

Nivel de peligro

Nivel de peligro	Probabilidad de suceso	Consecuencias de incumplimiento
 PELIGRO	Inmediato	Muerte, lesiones graves
 ADVERTENCIA	Posible	Muerte, lesiones graves
 CUIDADO	Posible	Lesiones leves
NOTA	Posible	Daños materiales

1.4 Limitación de la responsabilidad

Bissell Commercial no asume responsabilidad alguna por daños y daños consecuenciales causados por algunos de los motivos expuestos a continuación:

- Incumplimiento del manual de instrucciones
- Uso de recambios no autorizados / recambios incorrectos / recambios que no cumplen las especificaciones del fabricante
- Modificaciones por iniciativa propia, anexos y transformaciones del aparato

1.5 Garantía

Se aplican las normas que constan en las Condiciones Comerciales Generales de Bissell Commercial.

Generalidades

Seguridad

1.6 Derechos de autor

El manual de instrucciones está protegido por derechos de autor de Bissell Commercial.

El manual de instrucciones contiene normas y dibujos o secciones de dibujos de tipo técnico, que no pueden ser reproducidos, difundidos o utilizados, ni en su totalidad ni en parte, con terceros ni con fines competitivos.

Bissell Commercial se reserva el derecho a autorizar el uso de publicaciones o la entrega de copias o informaciones de este manual de instrucciones a terceros.

Cualquier incumplimiento generará derecho de indemnización por daños y perjuicios del fabricante. Todos los derechos reservados.

1.7 Grupo objetivo

Este manual de instrucciones está destinado al usuario de la barredora.

2. Seguridad

¡Para evitar un mal funcionamiento, daños y consecuencias para la salud, observe las siguientes indicaciones!

2.1 Uso correcto y conforme a la finalidad

La barredora 355 está destinada únicamente a la eliminación de suciedad en el suelo, como hojas, hierba, guijarros, arena u otros objetos en superficies planas y duras.

2.2 Uso no conforme a la finalidad

Cualquier otro uso al descrito en el apartado «Uso correcto y conforme a la finalidad» se considerará no conforme. Los daños resultantes de un tal uso serán responsabilidad exclusiva del usuario del aparato.

La barredora no debe utilizarse para limpiar sustancias tóxicas, combustibles o ignífugas (cigarrillos y cerillas), líquidos, polvos explosivos o nocivos (Ex), ácidos o disolventes.

Tampoco puede utilizarse la barredora para limpiar agua vertida.

La barredora no se utilizará en áreas con peligro de explosión o como medio de transporte.

2.3 Responsabilidad del usuario

El usuario es aquella persona física o jurídica que utiliza la barredora o encarga a terceros su uso y que es responsable, durante el uso, de la seguridad del usuario o de terceros.

- Vigile a los niños que pueda haber en el entorno de trabajo, para asegurarse de que no juegan con el aparato.
- Los menores de edad no pueden trabajar con este aparato. Quedan exceptuados los jóvenes de más de 16 años en formación y bajo supervisión.
- No podrán realizar trabajos con este aparato las personas cuya capacidad de reacción esté influenciada, por ejemplo, por drogas, alcohol o medicamentos.
- Tampoco podrán trabajar con la barredora aquellas personas que, por razones de salud, no deban hacer esfuerzos.
- Renueve cualquier rótulo en la barredora que haya quedado ilegible.

2.4 Advertencias de seguridad generales

- El material de embalaje debe quedar fuera del alcance de los niños. ¡Peligro de asfixia!
- El operario no debe llevar cabello largo suelto, corbata, prendas de vestir sueltas ni joyas (anillos incluidos).
- Al trabajar con la barredora, vigile que no haya peligro de lesiones por enganchamiento y arrastre.

2.5 Advertencia de peligro en la máquina

En la barredora encontrará los siguientes pictogramas:



CUIDADO

Al trabajar, procure observar y cumplir las advertencias de seguridad indicadas en el manual de uso.



Manual de servicio

Lea atentamente el manual de instrucciones antes de utilizar el aparato.

2.6 Equipo de protección individual

Durante el trabajo es necesario llevar equipo de protección individual para minimizar peligros para la salud. Por ello:

- Antes de iniciar los trabajos, colóquese el equipamiento de seguridad correctamente y llévelo puesto durante todo el tiempo de trabajo.



Calzado firme

Lleve calzado firme con suela antideslizante de buen agarre.



Guantes de seguridad resistentes

Lleve guantes de seguridad resistentes.



Mascarilla contra el polvo

Lleve mascarilla contra el polvo.

3. Características técnicas

Datos básicos de la BG355

Características técnicas	Valor
Altura (según ajuste de altura del manillar telescópico) en milímetros [mm]	1150 / 1200 / 1250
Ancho en milímetros [mm]	550
Largo en milímetros [mm]	580
Ancho de barrido en milímetros [mm]	550
Rendimiento de barrido en metros cuadrados por hora [m ² /h]	1600
Capacidad del recipiente recogedor en litros [l]	20
Peso en kilogramos [kg]	7,2

Estructura y función

4. Estructura y función

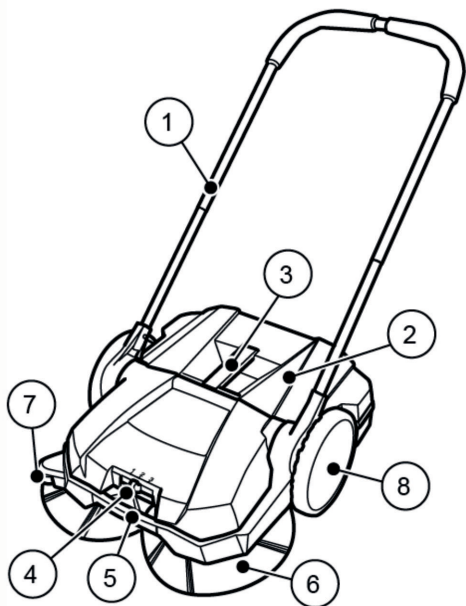


Fig. 1: Resumen de componentes 1

Nº pos.	Componente
1	Manillar telescópico
2	Recipiente recogedor
3	Asa del recipiente recogedor
4	Ajuste de altura del plato de escoba
5	Asa de transporte
6	Plato de escoba
7	Rueda guía lateral
8	Rueda

El aparato se desplaza hacia delante mediante empuje desde el manillar telescópico (1). Los dos platos de escoba (6) transportan con ayuda de la pala recogedora (11) la suciedad hacia el recipiente recogedor (2). El cepillo barredor de suciedad fina (9) traslada el resto del material barrido hacia el recipiente recogedor (2).

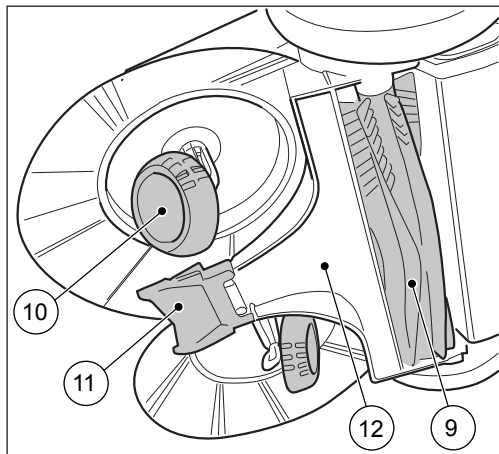


Fig. 2: Resumen de componentes 2

Nº pos.	Componente
9	Cepillo barredor de suciedad fina
10	Grado de inclinación
11	Pala recogedora
12	Placa del recogedor

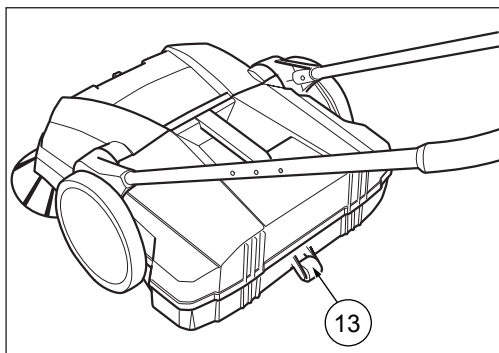


Fig. 3: Resumen de componentes 3

Nº pos.	Componente
13	Rodillo

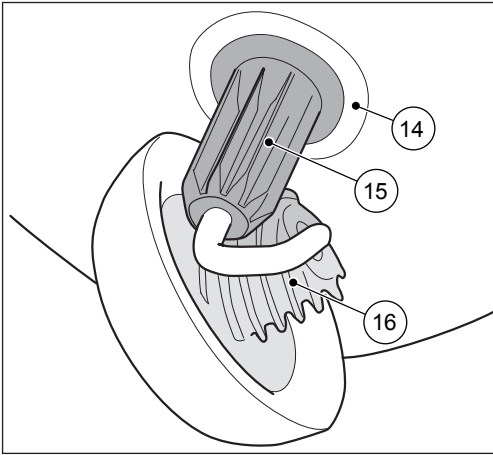


Fig. 4: Vista en detalle del plato de escoba

Nº pos.	Componente
14	Acoplamiento
15	Vaina dentada
16	Dentado de rueda inclinada

5. Transporte

5.1 Suministro

NOTA

En caso de detectar daños visibles en el empaquetado exterior, haga que el transportista se lo confirme en la misma entrega. Si se detecta un daños de transporte tras desempaquetar la barredora, se informará por escrito al transportista en un plazo de 24 horas tras la entrega para que se responsabilice del daño.

5.2 Volumen de suministro

- Aparato
- Manillar
- 2 tubos telescópicos
- Manual de instrucciones

5.3 Manipulación del material de embalaje

- Elimine el material de embalaje siempre respetando el medio ambiente.
- Observe la normativa local o regional aplicable.

5.4 Almacenaje/Conservación

NOTA

Una conservación inadecuada puede provocar daños en la barredora.

- Almacene el aparato solo en estado limpio y con el recipiente recogedor vaciado.
- » En el capítulo 7.3 de este manual de uso encontrará información sobre el vaciado del recipiente recogedor y en el capítulo 9.4 sobre su limpieza.

Transporte

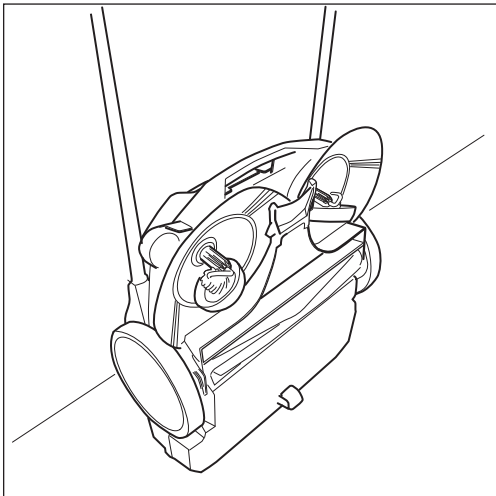


Fig. 5: Posición de almacenaje

- Coloque el aparato de tal forma que las cerdas de los cepillos no queden dobladas.
- Asegure el aparato, incluyendo el manillar telescópico, contra vuelco o desplazamiento, para evitar daños.
- No deje el aparato nunca al aire libre o en entornos húmedos.

5.5 Cómo llevar el aparato

CUIDADO

¡Peligro de lesiones por vuelco del manillar telescópico!

Si se vuelca el manillar telescópico pueden producirse lesiones leves como aplastamiento de dedos o heridas, tanto en el usuario como en otras personas.

- Durante el traslado, lleve el aparato de forma que el manillar telescópico no pueda volcarse.

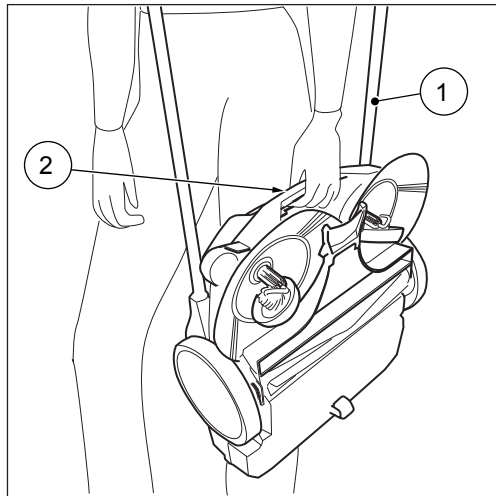


Fig. 6: Cómo llevar el aparato

1. Pliegue el manillar telescópico (1) hacia delante hasta alcanzar una posición plana.
2. Sujete el aparato por el asa (2).
3. Lleve el aparato de forma que los platos de escoba estén hacia fuera.

5.6 Transporte del aparato en el vehículo

CUIDADO

¡Peligro por transporte inadecuado de la barredora!

Un aparato no fijado que se mueva por el interior del vehículo puede causar lesiones al conductor u otras personas.

- Asegure el aparato con una correa tensada contra desplazamientos durante el transporte.

1. Coloque el aparato en el vehículo en un lugar adecuado.
2. Asegure el aparato con correas.

NOTA

Un transporte inadecuado puede provocar daños en la barredora.

6. Puesta en marcha

6.1 Montaje del manillar telescópico

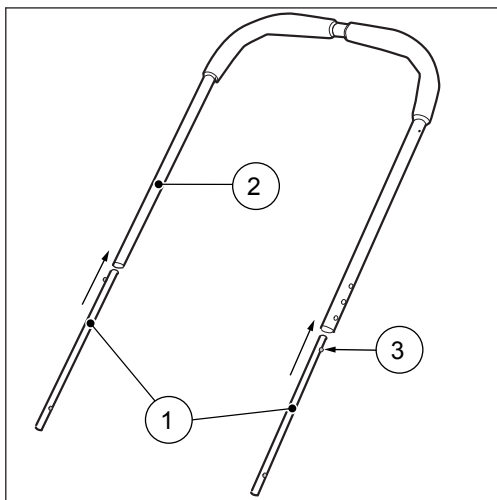


Fig. 7: Montaje del manillar telescópico

En la entrega, los dos tubos telescópicos (1) y el manillar (2) van por separado.

1. Empuje hacia dentro los muelles de fijación (3) en ambos lados de los tubos telescópicos.
 2. Inserte los tubos telescópicos (1) en el manillar (2).
 3. Inserte los tubos telescópicos en el manillar hasta que los muelles de fijación se enganchen en ambos lados.
- » Compruebe que los muelles se fijan en ambos lados a la misma altura.

6.2 Montaje del manillar telescópico

! CUIDADO

¡Peligro de lesiones por vuelco del manillar telescópico!

Si se vuelca el manillar telescópico pueden producirse lesiones leves como aplastamiento de dedos o heridas, tanto en el usuario como en otras personas.

- Durante el traslado, lleve el aparato de forma que el manillar telescópico no pueda volcarse.

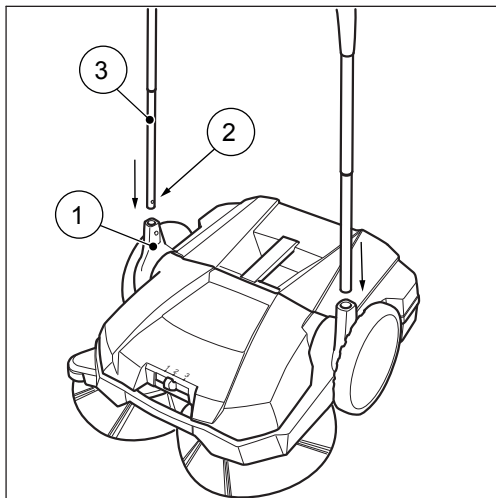


Fig. 8: Montaje del manillar telescópico

1. Gire los soportes del manillar (1) a posición vertical.
2. Empuje hacia dentro los muelles de fijación (2) en ambos lados de del manillar telescópico.
3. Empuje el manillar telescópico (3) a la vez por ambos lados en los dos soportes.
4. Insértelos hasta que los muelles de fijación enganchen.

Puesta en marcha

Manejo

6.3 Ajuste de altura del manillar telescópico

El manillar telescópico (1) puede ajustarse a tres alturas distintas, según la altura del usuario.

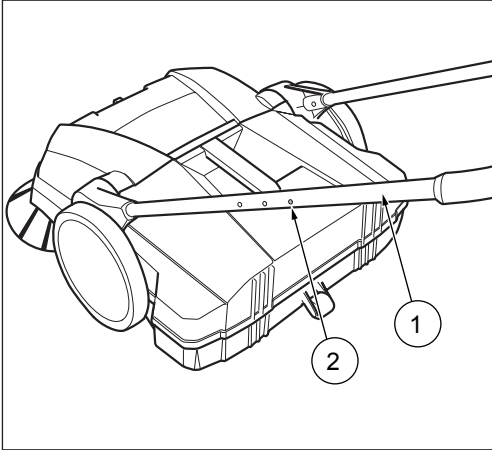


Fig. 9: Ajuste de altura del manillar telescópico

1. Empuje los muelles de fijación (2) hacia dentro en ambos lados del manillar telescópico.
 2. Ajuste el manillar telescópico según la altura corporal.
- » Los muelles de fijación (2) deben engancharse de forma visual y audible en la posición deseada.

7. Manejo

⚠ ADVERTENCIA

¡Peligro de cortes por cristales, metales y otros materiales cortantes!

Al vaciar el recipiente recogedor pueden producirse lesiones por cristales, metales u otros materiales cortantes.

- Lleve el equipo de protección individual aquí indicado.

⚠ CUIDADO

¡Peligro para la salud por el polvo producido durante el barrido!

La aspiración de polvo puede ser perjudicial para la salud.

- Lleve el equipo de protección individual aquí indicado.

7.1 Antes de iniciar el trabajo

- Compruebe la funcionalidad del aparato antes de empezar a trabajar con él.
- Compruebe que el manillar telescópico está correctamente fijado en sus soportes.
- Compruebe que el recipiente recogedor está bien colocado y en buen estado.
- Compruebe los platos de escoba y el cepillo barredor de suciedad fina para ver si hay posibles hilos y cordones enganchados. Elimínelos si los hubiera.
- Compruebe los platos de escoba y el cepillo barredor de suciedad fina para ver si hay piezas o suciedad enganchada.
- Compruebe las asas y límpielas si estuvieran sucias.

Ajuste de altura de los platos de escoba

El ajuste de altura de los platos de escoba se encuentra en el centro de la parte frontal. Con el ajuste de altura se adaptan los platos de escoba al tipo de suelo. Los niveles se basan en valores de la experiencia y se considerarán valores orientativos. Por ello, puede ser necesario ajustar distintos niveles según el suelo que se va a barrer.

- Nivel 1: para todas las superficies lisas y duras (asfalto, cemento, placas de hormigón,...)
- Nivel 2: para hojas húmedas, arena, superficies desiguales (como superficies de hormigón lavado)
- Nivel 3: para gran suciedad y grandes irregularidades

NOTA

No presione el plato de escoba con demasiada fuerza contra el suelo. Una presión excesiva no consigue mejores resultados, sino que aumenta la resistencia de empuje y el desgaste del aparato.

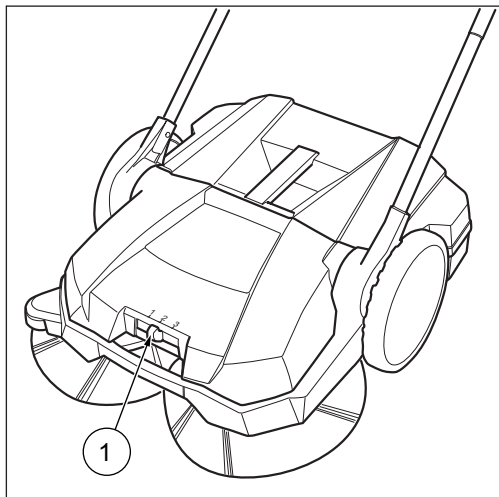


Fig. 10: Ajuste de altura de los platos de escoba

- Ajuste la altura adecuada:
- Para ello, desplace la palanca (1) a la posición deseada (niveles 1 - 3) hacia la derecha o izquierda.
- » Levantar ligeramente la barredora por su asa. Así facilitará el proceso de ajuste de altura.

7.2 Servicio

- Desplace y guíe el aparato desde el manillar telescópico con ambas manos.
- Empuje el aparato hacia delante caminando a velocidad normal.
- Vacíe el recipiente recogedor cuando haga falta, véase el apartado «Recipiente recogedor» en el capítulo 7.3 de este manual de uso.

7.3 Vaciado del recipiente recogedor

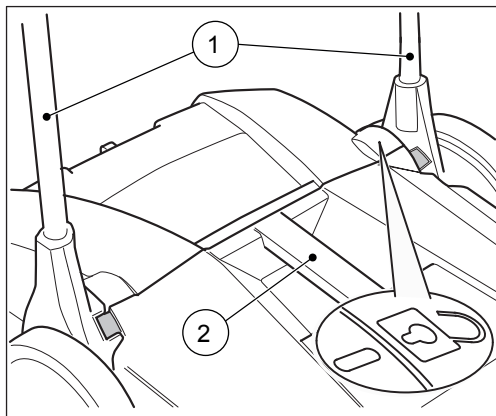


Fig. 11: Posición de liberación del recipiente recogedor

- Vacíe el recipiente recogedor tras cada uso.
 - Vacíe el recipiente recogedor a intervalos regulares, para lograr un resultado perfecto de barrido.
1. Coloque el manillar telescópico (1) en posición vertical.
 - » En esta posición, el recipiente recogedor queda liberado para su extracción. Puede verse también en el símbolo del «candado abierto».
 2. Extraiga hacia arriba el recipiente recogedor por su asa (2).
 3. Vacíe totalmente el recipiente recogedor.
 - » Procure que los bordes de la carcasa estén también limpios.
 4. Coloque de nuevo el recipiente recogedor en el aparato y vuelva a colocar el manillar telescópico en su posición de uso.
 - » En la posición de uso del manillar telescópico, el recipiente recogedor queda bloqueado.

Subsanación de fallos

8. Subsanación de fallos

⚠ ADVERTENCIA

¡Peligro de cortes por cristales, metales y otros materiales cortantes!

Al vaciar el recipiente recogedor pueden producirse lesiones por cristales, metales u otros materiales cortantes.

- Lleve el equipo de protección individual aquí indicado.

⚠ CUIDADO

¡Peligro para la salud por el polvo producido durante el barrido!

La aspiración de polvo puede ser perjudicial para la salud.

- Lleve el equipo de protección individual aquí indicado.

⚠ CUIDADO

¡Peligro de lesiones por vuelco del manillar telescópico!

Si se vuelca el manillar telescópico pueden producirse lesiones leves como aplastamiento de dedos o heridas, tanto en el usuario como en otras personas.

- Durante el traslado, lleve el aparato de forma que el manillar telescópico no pueda volcarse.

A pesar del cumplimiento de las instrucciones de mantenimiento y comprobación del aparato antes de su uso, pueden producirse fallos. En la tabla siguiente se enumeran posibles fallos indicando la causa y su subsanación.

8.1 Tabla de fallos

Fallo	Causa	Subsanación
El aparato no va suave o cuesta empujar	Aparato sucio	Limpie el aparato, ver capítulo 9.4.
	Escobas bloqueadas	Eliminar el bloqueo, ver capítulo 9.2 «Eliminar bloqueos»
	Accionamientos de escobas sucios	Limpiar los accionamientos de las escobas, ver capítulo 9.4 «Limpiar el aparato»
	Ajuste de altura demasiado bajo, fuerza de presión de las escobas excesiva	Ajustar la altura, véase capítulo 7.1 en el apartado «Ajuste de altura»
	Los platos de escoba no giran	Contactar con el servicio técnico
Las cerdas están muy dobladas	Conservación incorrecta	Enderezar las cerdas, ver capítulo 9.3 en el apartado «Enderezar las cerdas»
Resultado de barrido insuficiente	Ausencia de la pala recogedora, o está suelta o muy desgastada	Sustituir la pala recogedora

9. Mantenimiento y limpieza



ADVERTENCIA

¡Peligro de cortes por cristales, metales y otros materiales cortantes!

Al vaciar el recipiente recogedor pueden producirse lesiones por cristales, metales u otros materiales cortantes.

- Lleve el equipo de protección individual aquí indicado.



CUIDADO

¡Peligro para la salud por el polvo producido durante el barrido!

La aspiración de polvo puede ser perjudicial para la salud.

- Lleve el equipo de protección individual aquí indicado.



CUIDADO

¡Peligro de lesiones por vuelco del manillar telescópico!

Si se vuelca el manillar telescópico pueden producirse lesiones leves como aplastamiento de dedos o heridas, tanto en el usuario como en otras personas.

- Durante el traslado, lleve el aparato de forma que el manillar telescópico no pueda volcarse.



CUIDADO

¡Peligro por productos de limpieza!

Los productos de limpieza pueden contener componentes nocivos para la salud, provocando irritaciones en las vías respiratorias y en la piel.

- Observar la hoja técnica de seguridad del fabricante.
- Evitar derrames y formación de neblinas.
- No comer, beber o fumar durante el trabajo.
- Evitar el contacto con la piel y los ojos.

En los apartados siguientes se describen las labores de limpieza y mantenimiento, necesarias para un óptimo funcionamiento.

La realización de los trabajos mencionados dependerá, en algunos casos, de la carga de trabajo o tiempo de uso. Por ello, en la indicación de intervalos se aplicará lo que suceda antes, sean horas de servicio (hs) o períodos.

En caso de preguntas sobre las labores de mantenimiento y los intervalos, contacte con el fabricante.

9.1 Plan de mantenimiento

Intervalo de mantenimiento	Labores de mantenimiento
Antes de empezar	Compruebe el buen funcionamiento y la ausencia de daños en el aparato. Contacte eventualmente con el servicio técnico.
	Compruebe que el manillar telescópico está correctamente fijado en sus soportes.
	Compruebe que el recipiente recogedor está bien colocado y en buen estado.
	Compruebe los platos de escoba y el cepillo barredor de suciedad fina para ver si hay posibles hilos y cordones enganchados. Elimínelos si los hubiera.
	Compruebe los platos de escoba y el cepillo barredor de suciedad fina para ver si hay piezas o suciedad enganchada.
	Compruebe las asas y límpielas si estuvieran sucias.
	Compruebe el correcto ajuste de altura del manillar.
Al acabar el trabajo	Compruebe el ajuste de presión de barrido. Adáptela, si fuera necesario, al tipo de suelo que va a barrer.
	Vaciar el recipiente recogedor.
8 hs	Limpiar el aparato.
	Limpiar los accionamientos de las escobas.

9.2 Eliminación de bloqueo

- Elimine el material enrollado (cordones, hilos,...) de las cerdas y los ejes.
- Elimine cualquier material enganchado (piedras, ramas, hojas,...)

Mantenimiento y limpieza

Puesta fuera de servicio

9.3 Enderezar las cerdas



ADVERTENCIA

¡Peligro de incendio por manipulación incorrecta de un soplador o por uso de sopladores incorrectos!

Al enderezar las cerdas hay peligro de incendio si al calentarlas se alcanza una temperatura excesiva.

- ¡No utilizar llama abierta o quemador para calentar las cerdas!
- No utilizar quemadores de aire. Las cerdas podrían fundirse con aire demasiado caliente.

Las cerdas dobladas pueden enderezarse, por ejemplo, calentándolas con un secador de pelo.

- Dirija el secador hacia las cerdas dobladas.
 - » Con suficiente calor, las cerdas se enderezan por sí mismas.

9.4 Limpiar el aparato

- No utilice productos con disolventes de grasas.
 - No utilice productos afilados o puntiagudos.
 - No limpie el aparato con un limpiador a alta presión o bajo el chorro del agua. El aparato no debe sumergirse en agua ni limpiarse con agua.
 - Proteja los rodamientos contra la humedad.
 - No limpie los platos de escoba y el cepillo barredor de suciedad fina con aire comprimido.
 - » El chorro a presión puede dañar las cerdas.
1. Limpie los platos de escoba, el cepillo barredor de suciedad fina y los accionamientos con un trapo mojado.
 2. Limpie todas las piezas de plástico con un paño húmedo.

10. Puesta fuera de servicio

10.1 Montaje del manillar telescópico



CUIDADO

¡Peligro de lesiones por vuelco del manillar telescópico!

Si se vuelca el manillar telescópico pueden producirse lesiones leves como aplastamiento de dedos o heridas, tanto en el usuario como en otras personas.

- Durante el traslado, lleve el aparato de forma que el manillar telescópico no pueda volcarse.

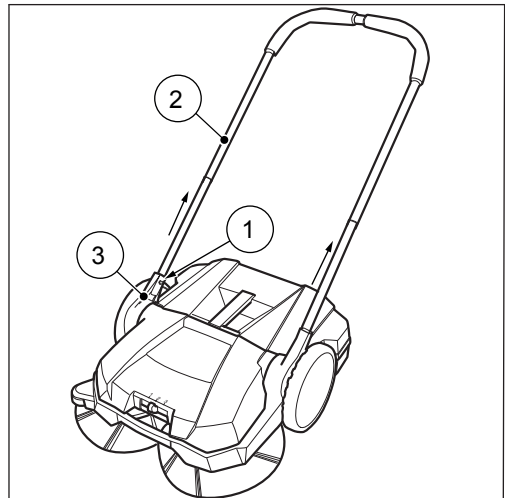


Fig. 12: Desmontaje del manillar telescópico

1. Presione los muelles de fijación (1) a ambos lados hacia dentro hasta liberar el manillar telescópico (2) para extraerlo.
2. Tire del manillar telescópico (2) a la vez por ambos lados para sacarlo de los dos soportes (3).

10.2 Eliminación

- Elimine el aparato respetando el medio ambiente según la normativa local aplicable.

