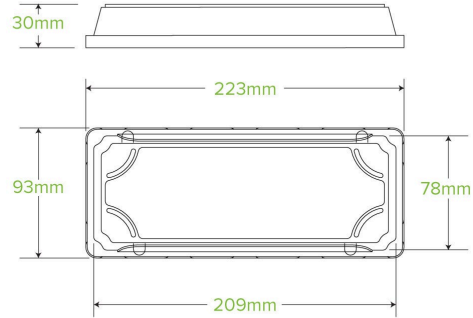


Long BioCane Sushi Tray PLA Lid B-STL-LONG



Carton quantity: 600	Sleeves per carton: 12	Units per sleeve: 50
Carton Size LxWxH (cm): 67.0 x 40.0 x 25.0	Carton gross weight (kg): 5.370000	Carton barcode: 19344062044649
Raw material: Bioplastic - Ingeo™ PLA	Lining/coating: Anti-fog	Window material: None
Printing Type: None	Inks: None	Dimensions top LxW (mm): 223x93
Dimensions base LxW (mm): 169x93	Product Depth: 30.0	Product weight (g): 7.8
Use: Hot and cold	Manufactured: Taiwan	Customise: None
MOQ custom: 1000000	Mould fees: Yes - see custom packaging	Factory food safety certified: HACCP
Corporate social accreditation: Certification Pending	Home compostable: No	Industrially compostable: Certified to AS4376 Australian Standards
Recyclable: No		